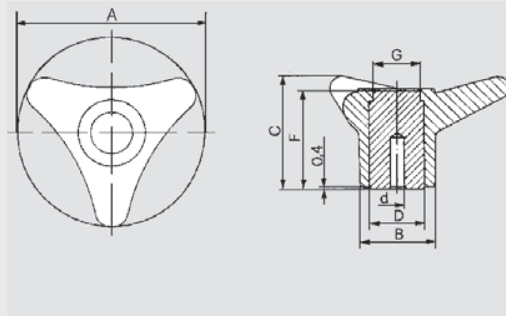
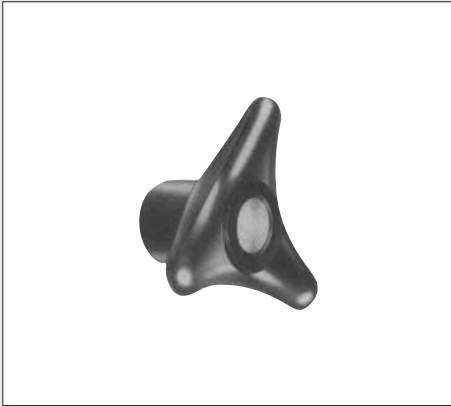


3P/A | Heavy Duty Phenolic Plastic Three Lobed Knobs

Metric Size • With Solid Steel Insert



RoHS Compliant

Hand knob

Black phenolic plastic, glossy finish

Hub insert

Zinc plated steel, molded-in

Both dimensions, inch and metric, are interchangeable.

3P/A three lobed plastic knobs can also be supplied with stainless steel inserts.

Maximum heat resistance of phenolic plastic: 150°C (300°F).

Special inch or metric size bores and threads available upon request.

8

Clamping Knobs

Metric Table

Dimensions in: millimeters (*inches*)

Part Number	A	d Pilot Hole	B	C	F	D	G
6111100	110 (4.33)	8 (.315)	37 (1.46)	55 (2.17)	48 (1.89)	26 (1.02)	23 (.91)