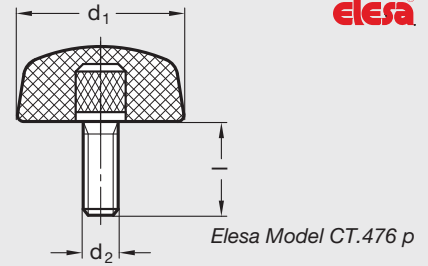




EN 531 | Wing Screws

Inch and Metric Size • With Threaded Stud

Knob Body	Technopolymer plastic
Threaded Stud	Steel, zinc-plated
Diameter d_1	1.02 – 1.57 inch (26 – 40 mm)
Thread d_2	10-32 – 5/16-18 or M5 – M10
Length l	.50 – 1.00 inch or 16 – 30 mm



elesa®

ISO 9001 Supplier

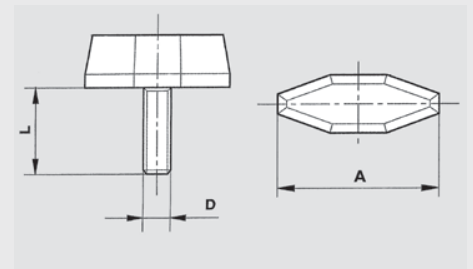
RoHS Compliant



GS | Wing Nuts

Metric Size • With Threaded Stud

Wing Nut	Black nylon plastic
Threaded Stud	Zinc-plated steel, molded-in
Diameter A	.87 – 1.25 inch (22 – 32 mm)
Thread D	M4 – M6
Length L	10 – 25 mm



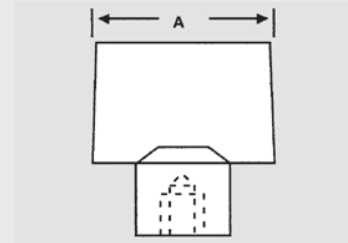
RoHS Compliant



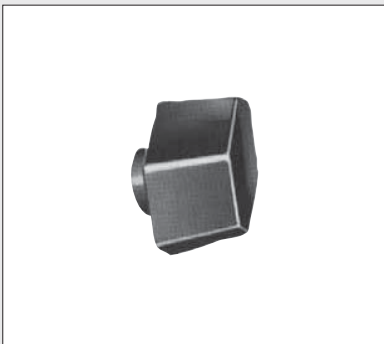
FKS | T-Clamping Knobs

Inch Size • With Tapped Insert

Knob Body	Black nylon plastic
Tapped Insert	Brass, molded-in
Diameter A	1.25 inch (31.8 mm)
Thread	10-24 – 1/4-20



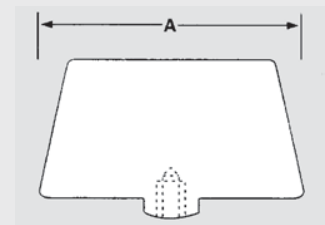
RoHS Compliant



FTK | T-Clamping Knobs

Inch Size • With Tapped Insert

Knob Body	Black phenolic plastic
Tapped Insert	Brass, molded-in
Diameter A	1.13 inch (28.7 mm)
Thread	1/4-20



RoHS Compliant