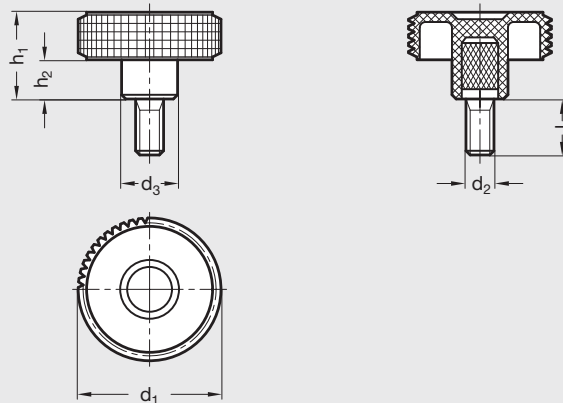


# EN 534 | Technopolymer Plastic Diamond Cut Knurled Knobs

Inch and Metric Size • With Threaded Stud



ISO 9001 Supplier

RoHS Compliant

### Knob body

Special glass-fiber reinforced technopolymer plastic, black matte finish

### Threaded stud

Zinc-plated steel, molded in

Elesa® original design technopolymer plastic diamond cut knurled knobs.

Outside rim has been designed with a truncated diamond knurl that provides a comfortable grip, and exercises maximum torque under the worst working conditions without causing operator fatigue.

The design of the fine diamond knurling simplifies grip adjustment of the knob during rapid rotation, thus providing the best control without requiring extreme angular adjustments of the hand and wrist.

Resistant to solvents, oils, grease and other chemical agents.

Elesa Model MBT-p

8

Clamping Knobs

## Inch Table

Dimensions in: inches (millimeters)

Part Number	d <sub>1</sub>	d <sub>2</sub> Thread	l Stud Length	d <sub>3</sub>	h <sub>1</sub>	h <sub>2</sub>
3T5000AB6	1.26	1/4 – 20	.50	.59 (15)	.87 (22)	.35 (9)
3T75AB6	(32)		.75			
3T75AB7	1.57 (40)	1/4 – 20	.75	.67 (17)	.94 (24)	.43 (11)
3T1AB7			1.00			
5T75AB7		5/16 – 18	.75			
5T1AB7	1.97 (50)	3/8 – 16	1.00	.79 (20)	1.18 (30)	.53 (13.5)
6T1AB8			1.25			
6T1250AB8		3/8 – 16	1.00			
6T1AB9	2.36 (60)	3/8 – 16	1.00	.91 (23)	1.38 (35)	.59 (15)
6T1250AB9			1.25			

Table continued...



**Metric Table**

Dimensions in: millimeters (*inches*)

Part Number	d <sub>1</sub>	d <sub>2</sub> Thread	l Stud Length	d <sub>3</sub>	h <sub>1</sub>	h <sub>2</sub>
5N10AB6	32 (1.26)	M5 x .8	10	15 (.59)	22 (.87)	9 (.35)
5N20AB6			20			
5N40AB6			40			
6N10AB6	32 (1.26)	M6 x 1.0	10	15 (.59)	22 (.87)	9 (.35)
6N20AB6			20			
6N40AB6			40			
6N10AB7	40 (1.57)	M6 x 1.0	10	17 (.67)	24 (.94)	11 (.43)
6N20AB7			20			
6N40AB7			40			
8N16AB7		M8 x 1.25	16			
8N30AB7			30			
8N50AB7			50			
8N16AB8	50 (1.97)	M8 x 1.25	16	20 (.79)	30 (1.18)	13.5 (.53)
8N30AB8			30			
8N50AB8			50			
10N20AB8	50 (1.97)	M10 x 1.5	20	20 (.79)	30 (1.18)	13.5 (.53)
10N30AB8			30			
10N50AB8			50			
10N20AB9	60 (2.36)	M10 x 1.5	20	23 (.91)	35 (1.38)	15 (.59)
10N30AB9			30			
10N50AB9			50			
12N20AB9	60 (2.36)	M12 x 1.75	20	23 (.91)	35 (1.38)	15 (.59)
12N30AB9			30			
12N50AB9			50			
12N30AB0	70 (2.76)	M12 x 1.75	30	24 (.94)	38 (1.50)	18.5 (.73)
12N50AB0			50			