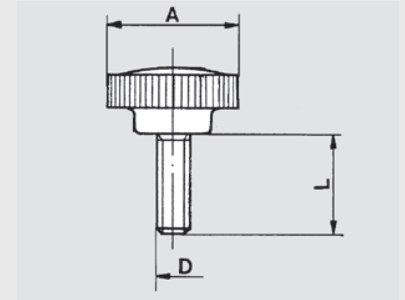




RoHS Compliant

**CALL** **ZP | Knurled Rim Knobs**  
Metric Size • With Threaded Stud

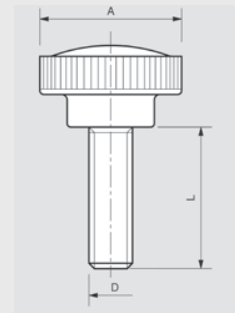
<b>Body</b>	Black nylon plastic
<b>Threaded Stud</b>	Zinc plated steel
<b>Diameter A</b>	.87 – 1.02 inch (22 – 26 mm)
<b>Thread D</b>	M4 – M8
<b>Length L</b>	10 – 40 mm



RoHS Compliant

**CALL** **ZPX | Knurled Knobs**  
Metric Size • With Stainless Steel Threaded Stud  
**SS**

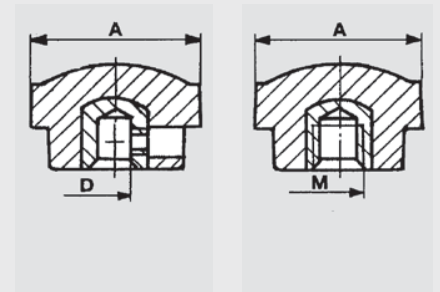
<b>Knurled Knob</b>	Matte black nylon plastic
<b>Threaded Stud</b>	Stainless steel
<b>Diameter A</b>	.87 – 1.02 inch (22 – 26 mm)
<b>Thread D</b>	M5 – M6
<b>Length L</b>	10 – 30 mm



RoHS Compliant

**CALL** **ZB | Knurled Rim Knobs**  
Metric Size • With Tapped and Blind Bore

<b>Body</b>	Black nylon plastic
<b>Insert</b>	Brass, molded in
<b>Diameter A</b>	.87 – 1.02 inch (22 – 26 mm)
<b>Thread M</b>	M4 – M8
<b>Bore D</b>	6 mm



RoHS Compliant

**CALL** **ZB/FP | Knurled Knobs**  
Metric Size • With Tapped Through Insert

<b>Body</b>	Black nylon plastic
<b>Insert</b>	Brass, molded in
<b>Diameter A</b>	.87 – 1.02 inch (22 – 26 mm)
<b>Diameter D</b>	M4 – M8

