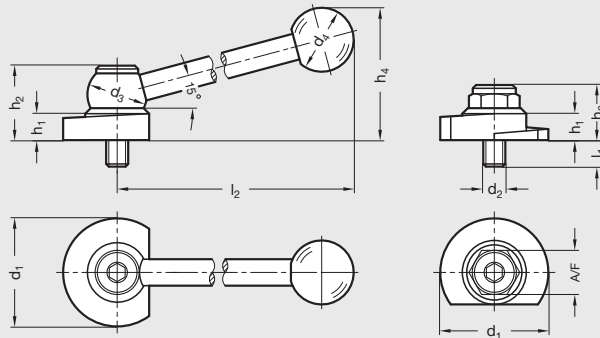


GN 918.1 / GN 918.6 | Bottom Clamping Cam Units

Metric Size • Steel or Stainless Steel • Ball Lever or Hexagon Type



ISO 9001 Supplier

RoHS Compliant

GN 918.1 Ball lever handle, eccentric cam and washer

Steel, black oxide finish, case hardened

Hexagon threaded bolt

Steel, nitrided to surface hardness class 8.8 grade.

Ball knob

Black phenolic plastic, DIN 319 series

GN 918.6 Eccentric cam

Stainless steel, European Standard No. 1.4305, chemically nickel plated

Hexagon threaded bolt and washer

Stainless steel, European Standard No. 1.4021, tempered, chemically nickel plated

Ball lever handle

Stainless steel, European Standard No. 1.4305, matte shot blasted

Ball knob

Black phenolic plastic, DIN 319 series

Bottom clamping cam units GN 918.1/GN 918.6

are fitted with a rotating helix. They allow rapid and safe clamping and releasing with a relatively long movement and high clamping force.

The ball lever handle is linked with the clamping mechanism via mating serrated parts, thus allowing an individual positioning of the ball lever handle.

Bolt and washer are matched to allow an effortless release from the clamped position.

The clamping bolt can also be used with T-slot nuts on machine beds.

Bottom clamping cam units offer the advantage that they can be rotated away from the clamping area after release.

Bottom clamping cam units can also be used as stepless adjustable end stops. If the washer is removed, the bolt can be clamped direct to its support. Spherical clamping bolts with flat faced ball GN 605 are recommended for use with these clamping bolts.

See technical details and instructions, page 619.

GN 918.1

Dimensions in: millimeters (inches)

Part Number		d ₁	d ₂ Thread	d ₃	d ₄	h ₁	h ₂	h ₃	h ₄₌	l ₁	l ₂₌	A/F
With Ball Lever/Serrations	With Hexagon											
L79/KV	L79/SK	50 (1.97)	M10 x 1.5	28 (1.10)	30 (1.18)	12 (.47)	34.5 (1.36)	24 (.94)	62 (2.44)	11 (.43)	109 (4.29)	19 (.75)

GN 918.6

Dimensions in: millimeters (inches)

Part Number		d ₁	d ₂ Thread	d ₃	d ₄	h ₁	h ₂	h ₃	h ₄₌	l ₁	l ₂₌	A/F
With Ball Lever/Serrations	With Hexagon											
10NOJ1/KV	10NOJ1/SK	50 (1.97)	M10 x 1.5	28 (1.10)	30 (1.18)	12 (.47)	34.5 (1.36)	24 (.94)	62 (2.44)	11 (.43)	109 (4.29)	19 (.75)