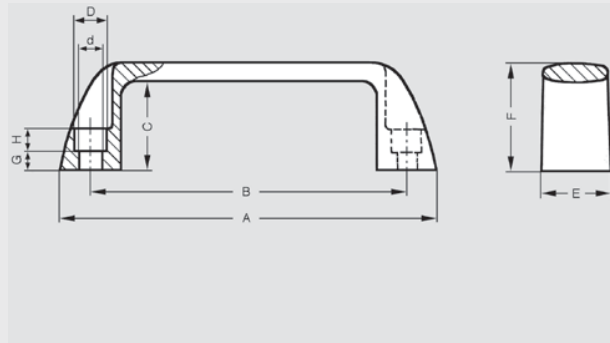


MF | Nylon Plastic Cabinet “U” Handles

With Counterbored Mounting Holes



3

RoHS Compliant

Handle

Glass fiber reinforced nylon plastic, matte finish

Mounting holes

Counterbored for inch and metric socket cap screws

Part number designates color “black”.

Special colors listed below are available upon request:

Optional colors

- O** Orange, RAL 2004
- R** Red, RAL 3000
- G** Gray, RAL 7031
- Z** White, RAL 9010

Both dimensions, inch and metric, are interchangeable

The shape of this handle has good ergonomic features.

Because of the style and durability of this handle, it is suitable for most industries.

Maximum heat resistance: 110°C (230°F).

Various metric size fasteners and kit packaging available upon request.

Metric Table

Dimensions in: millimeters (*inches*)

Part Number Black*	E	B	d Mounting Holes	D	F	C	G	H	A
6333150	21 (.83)	93.5 (3.68)	6.5 (.256)	10.5 (.41)	36 (1.42)	30 (1.18)	6 (.24)	7 (.28)	112 (4.41)
6333105	26 (1.02)	117 (4.61)	6.5 (.256)	10.5 (.41)	41 (1.61)	34 (1.34)	6 (.24)	9 (.35)	139 (5.47)
6333100	26 (1.02)	117 (4.61)	8.5 (.335)	13 (.51)	41 (1.61)	34 (1.34)	6 (.24)	9 (.35)	139 (5.47)
6333200	27 (1.06)	132 (5.20)	6.5 (.256)	10.5 (.41)	45 (1.77)	37 (1.46)	9 (.35)	7 (.28)	156 (6.14)
6333210	27 (1.06)	132 (5.20)	8.5 (.335)	13 (.51)	45 (1.77)	37 (1.46)	7 (.28)	9 (.35)	156 (6.14)
6333220	28 (1.10)	179 (7.05)	8.5 (.335)	13 (.51)	50 (1.97)	42 (1.65)	8 (.31)	9 (.35)	204 (8.03)

* For optional-standard colors replace the last digit with the desired suffix: **O** (Orange, RAL 2004), **R** (Red, RAL 3000), **G** (Gray, RAL 7031), **Z** (White, RAL 9010).
Example of part number for Shiny Black Smooth Finish: 63331500