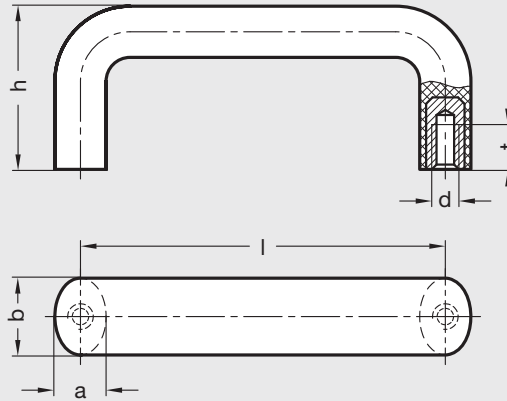


EN 725 | Plastic Cabinet "U" Handles

Inch and Metric Size • With Tapped Inserts



elesa®



3

ISO 9001 Supplier

RoHS Compliant

Handle

Special glass-fiber reinforced technopolymer plastic, black matte finish

Inserts

Brass, molded in

Elesa® original design technopolymer plastic cabinet "U" handles.

High impact strength.

Resistant to solvents, oils, grease and other chemical agents.

Maximum heat resistance of plastic: 180°C (355°F).

Various metric size fasteners and kit packaging available upon request.

Elesa Model M.643

Inch Table

Dimensions in: inches (millimeters)

Part Number	l	d Tapped	b	a	h	t min.
23W86AC0K/3T	3.39 (86)	1/4-20	.91 (23)	.55 (14)	1.73 (44)	.47 (12)
24W117AC0K/5T	4.61 (117)	5/16-18	.94 (24)	.59 (15)	1.89 (48)	.51 (13)
26W1300AC0K/5T	5.12 (130)	5/16-18	1.02 (26)	.63 (16)	2.09 (53)	.51 (13)
27W150AC0K/5T	5.91 (150)	5/16-18	1.06 (27)	.63 (16)	2.20 (56)	.51 (13)
27W179AC0K/5T	7.05 (179)	5/16-18	1.06 (27)	.63 (16)	2.24 (57)	.51 (13)

Metric Table

Dimensions in: millimeters (inches)

Part Number	l	d Tapped	b	a	h	t min.
23W86AC0K/M6	86 (3.39)	M6 x 1.0	23 (.91)	14 (.55)	44 (1.73)	12 (.47)
24W117AC0K/M6	117 (4.61)	M6 x 1.0	24 (.94)	15 (.59)	48 (1.89)	12 (.47)
24W117AC0K/M8	117 (4.61)	M8 x 1.25	24 (.94)	15 (.59)	48 (1.89)	13 (.51)
26W1300AC0K/M8	130 (5.12)	M8 x 1.25	26 (1.02)	16 (.63)	53 (2.09)	13 (.51)
27W150AC0K/M8	150 (5.91)	M8 x 1.25	27 (1.06)	16 (.63)	56 (2.20)	13 (.51)
27W179AC0K/M8	179 (7.05)	M8 x 1.25	27 (1.06)	16 (.63)	57 (2.24)	13 (.51)
32W300AC0K/M10	300 (11.81)	M10 x 1.5	32 (1.26)	22 (.87)	64 (2.52)	17 (.67)

Pull Handles and Access Hardware