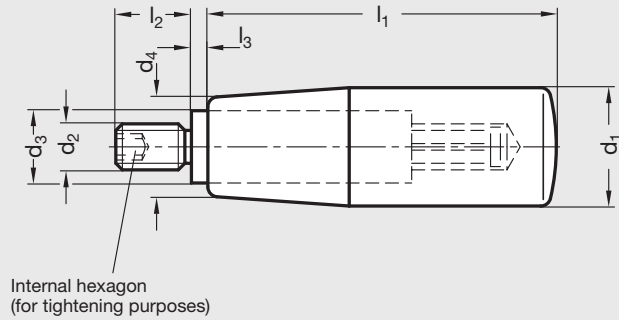


GN 598 | Plastic and Steel Cylindrical Revolving Handles

Inch and Metric Size • With Steel Spindle



4

Revolving and Operating Handles

ISO 9001 Supplier

RoHS Compliant

Hand piece

Black phenolic plastic
(Duroplast PF)
Smooth glossy finish

Hand piece

Black nylon plastic
Smooth matte finish

Hand piece

Steel

Electrostatically applied black powder coated pebble finish

Threaded Spindle

Steel, zinc plated with internal hexagon

Cylindrical revolving handles are noted for their modern design, and they blend in well with rectangular shaped rim handwheels.

Steel handles are mainly used on safety clutch handwheels to increase imbalance and thus avoid free wheeling.

Maximum heat resistance of phenolic plastic hand piece: 150°C (300°F).

Maximum heat resistance of nylon plastic hand piece: 110°C (230°F).

DIN 911 hex keys used for mounting these handles, are available upon request.

Inch Table

Dimensions in: inches (millimeters)

Part Number		d ₁	d ₂ Thread	d ₃	d ₄	l ₁	l ₂	l ₃	Int. Hex A/F
Phenolic	Nylon								
3TG61/PL	3TG61/TP	.71 (18)	1/4-20	.39 (10)	.59 (15)	1.57 (40)	.47 (12)	.10 (2.5)	.118 (3)
3TG62/PL	3TG62/TP	.83 (21)	1/4-20	.39 (10)	.67 (17)	1.97 (50)	.51 (13)	.10 (2.5)	.118 (3)
5TG76/PL	5TG76/TP	.91 (23)	5/16-18	.51 (13)	.75 (19)	2.56 (65)	.55 (14)	.10 (2.5)	.157 (4)
6TG77/PL	6TG77/TP	1.02 (26)	3/8-16	.51 (13)	.83 (21)	3.15 (80)	.63 (16)	.10 (2.5)	.197 (5)
6TG78/PL	6TG78/TP	1.10 (28)	3/8-16	.51 (13)	.87 (22)	3.54 (90)	.63 (16)	.10 (2.5)	.197 (5)
8TG79/PL	—	1.22 (31)	1/2-13	.55 (14)	.98 (25)	4.02 (102)	.78 (20)	.10 (2.5)	.236 (6)

Metric Table

Dimensions in: millimeters (*inches*)

Phenolic	Part Number		d ₁	d ₂ Thread	d ₃	d ₄	l ₁	l ₂	l ₃	A/F
	Nylon	Steel								
6NG60/PL	–	–	14 (.55)	M6 x 1.0	8 (.31)	11 (.43)	28 (1.10)	10 (.39)	.5 (.02)	3 (.12)
6NG61/PL	6NG61/TP	6NG61/ST	18 (.71)	M6 x 1.0	10 (.39)	15 (.59)	40 (1.57)	12 (.47)	2.5 (.10)	3 (.12)
6NG62/PL	6NG62/TP	6NG62/ST	21 (.83)	M6 x 1.0	10 (.39)	17 (.67)	50 (1.97)	13 (.51)	2.5 (.10)	3 (.12)
8NG62/PL	8NG62/TP	8NG62/ST	21 (.83)	M8 x 1.25	10 (.39)	17 (.67)	50 (1.97)	13 (.51)	2.5 (.10)	4 (.16)
6NG75/PL	6NG75/TP	–	22 (.87)	M6 x 1.0	10 (.39)	18 (.71)	56 (2.20)	13 (.51)	2.5 (.10)	3 (.12)
8NG75/PL	8NG75/TP	–	22 (.87)	M8 x 1.25	10 (.39)	18 (.71)	56 (2.20)	13 (.51)	2.5 (.10)	4 (.16)
8NG76/PL	8NG76/TP	8NG76/ST	23 (.91)	M8 x 1.25	13 (.51)	19 (.75)	65 (2.56)	14 (.55)	2.5 (.10)	4 (.16)
10NG76/PL	10NG76/TP	10NG76/ST	23 (.91)	M10 x 1.5	13 (.51)	19 (.75)	65 (2.56)	14 (.55)	2.5 (.10)	5 (.20)
8NG77/PL	8NG77/TP	8NG77/ST	26 (1.02)	M8 x 1.25	13 (.51)	21 (.83)	80 (3.15)	16 (.63)	2.5 (.10)	4 (.16)
10NG77/PL	10NG77/TP	10NG77/ST	26 (1.02)	M10 x 1.5	13 (.51)	21 (.83)	80 (3.15)	16 (.63)	2.5 (.10)	5 (.20)
10NG78/PL	10NG78/TP	10NG78/ST	28 (1.10)	M10 x 1.5	13 (.51)	22 (.87)	90 (3.54)	16 (.63)	2.5 (.10)	5 (.20)
12NG79/PL	–	12NG79/ST	31 (1.22)	M12 x 1.75	14 (.55)	25 (.98)	102 (4.02)	20 (.79)	2.5 (.10)	6 (.24)