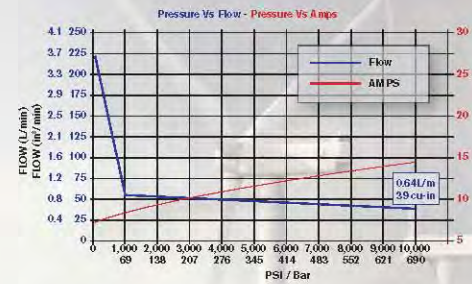


PE39 COMPACT TORQUE WRENCH PUMP

SPX®



La SP X PE39 es compacta y puede usarse con orientación vertical y horizontal. Se basa en el diseño de bomba probado y de gran fiabilidad en aplicaciones resistentes de llave dinamométrica, facilitando así el funcionamiento y el cumplimiento con los requisitos de mantenimiento.

- Ligera y portátil: 17,7 kg (sin aceite)
- Motor universal para aplicaciones de voltaje reducido
- Funcionamiento vertical u horizontal
- Válvula de descarga de la presión retráctil integrada
- Mando colgante extraíble (longitud del cable de 5 m)
- Ventilador opcional

PE39	Order Nr.	Specifications
COMPACT TORQUE WRENCH PUMP CE	PE39YED1PR	110/115VAC
	PE39PED1PR	220/230VAC
	PE39YED1BPR	110/115VAC with cooling
	PE39PED1BPR	220/230VAC with cooling

COMPACT TORQUE WRENCH PUMP



COMPACT TORQUE WRENCH PUMP

The SPX PE39 is compact and capable of being used in a vertical or horizontal orientation. It is based on proven pump design for reliability in rugged torque wrench applications to support operation and maintenance requirements.

Quality means Lower Life-Cycle Costs:

- Over 100,000 cycles
- Continuous duty up to 50°C / 122°F ambient (optional cooling kit)
- Proven design: proven reliability

Enhanced Usability:

- Light weight and portable: 39 lbs. / 17.7 kg (without oil)
- Vertical or horizontal operation
- Removable control pendant (15 ft/ 5 m cord length)
- Removable 4" calibration capable gauge
- Universal Motor for reduced voltage applications (up to -20% nominal voltage)
- 4-way valve (not for lifting applications)

Designed with Safety in Mind:

- Easily adjusted pressure regulator (relief) valve
- Fixed 1500 psi / 103 Bar pressure retract relief valve

pump.



COMPACT PUMP

Specifications and Dimensional Data



Size: (L x W x H): 13.8" x 10.8" x 23.7"
35 cm x 27.4 cm x 60 cm

Weight: Lbs/Kg: 39 lbs / 17.7 kg (without Oil)

Maximum Oil Capacity: (non-vented reservoir)
0.5 Gallons / 1.89 L (to fill line)
0.4 Gallons / 1.51L (useable)

Operating Environment:

Temperature: -13°F to 122°F / -25°C to +50°C
(If temperatures are at extremes of the operating range, it is recommended to use hydraulic oils that are rated for those temperatures. Refer to service manuals and cooling options)

Sound Level: 87 – 92 dB

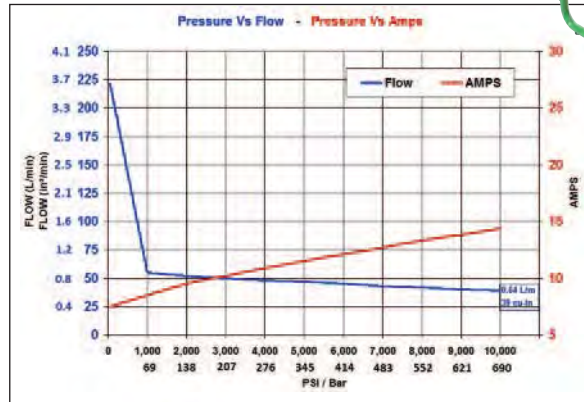
Pressure: 0 – 10,000 psi (0 – 690 bar)

Typical Flow: 225 cu-in/min – 39 cu-in/min
3.7 L/min – 0.64 L/min

Power:

1.3 HP Universal Motor
(115 volt – 50/60 Hz) 14.5 amps
(230 volt – 50/60 Hz) 7.2 amps

Typical Flow Curve:

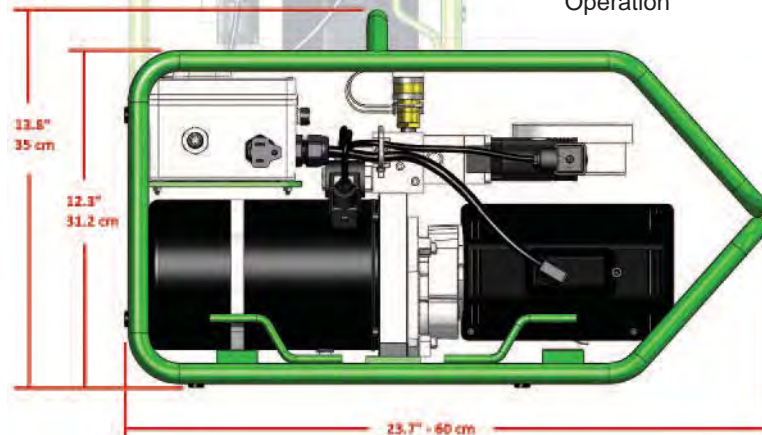
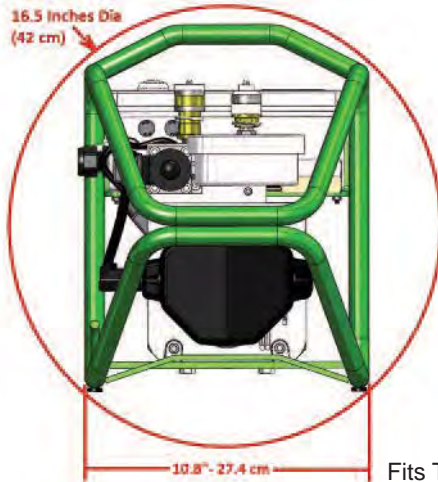


OPTIONS

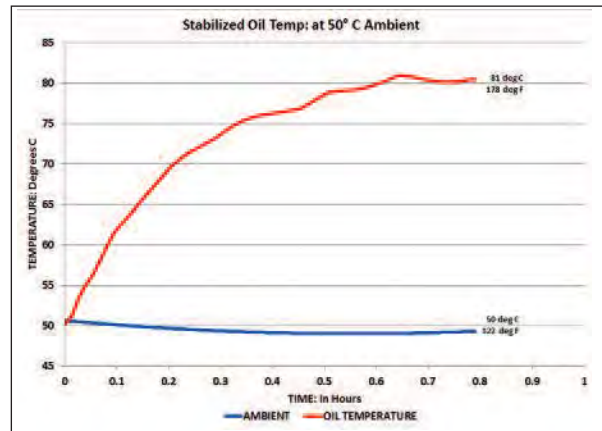
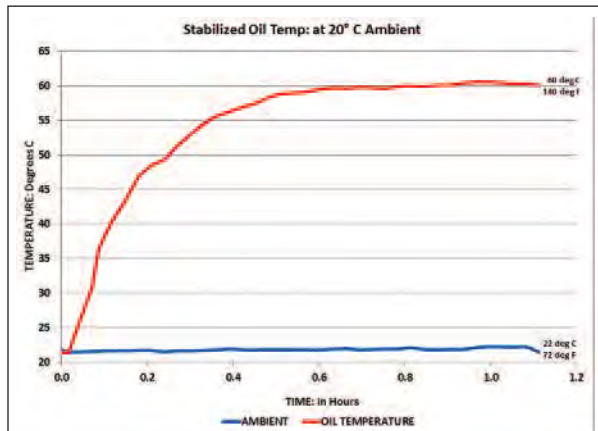
- Auxiliary Cooling Fan (Field Installable)
Part# 3000610



Vertical or Horizontal Operation



Fits Through 16.5" (42 cm) Opening



Order No.	Description	Order No.	Description
PE39YED1PR	110/115VAC	PE39YED1BPR	110/115VAC with cooling option
PE39PED1PR	220/230VAC	PE39PED1BPR	220/230VAC with cooling option

BOLTING SYSTEMS
spxboltingystems.com
powerteam.com



GRUPO PEGAMO DESDE 1982



SUMINISTRO INDUSTRIAL

En Pegamo Suministro Industrial llevamos desde 1982 vendiendo, alquilando y reparando Herramienta Hidráulica, Herramienta Neumática y Herramienta Manual de las principales marcas del mercado.

Te asesoramos para que encuentres la mejor solución a las necesidades de tu empresa.

CONTACTA CON NOSOTROS

Pol. Lintzirin Gaina, B2
20180 Oiartzun.
Gipuzkoa - Spain

suministros@pegamo.es
T. 943 491 788
F. 943 371 001