



elesa®



EN 670 | Ergostyle® Plastic Crank Handles

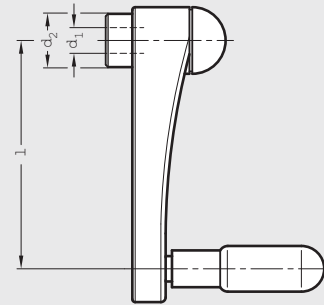
With Blind Bore • Metric Size



Crank Body Technopolymer plastic, black
Hub Steel, black oxide finish
Revolving Handle Technopolymer plastic, with zinc-plated steel threaded stem. See EN 698, page 209

Length l 3.94 – 4.92 inch (100 – 125 mm)

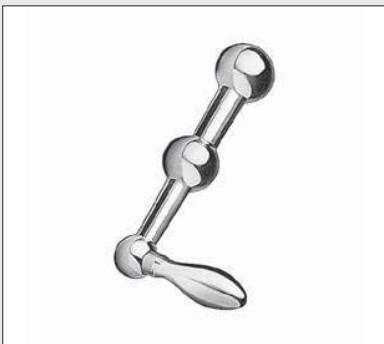
Diameter d₁ 12 – 18 mm



Elesa Model EKH

ISO 9001 Supplier

Call for RoHS



GN 10 | Steel Tri-Ball Handles

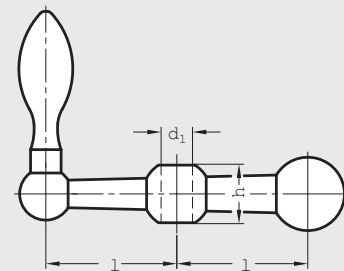
With Through Bore



Crank Body Turned from solid bar, black oxide finish.
Fixed Handle Steel with black oxide finish, see DIN 39-ST, page 211

Length l .98 – 1.97 inch (25 – 50 mm)

Diameter d₁ .276 – .472 inch (7 – 12 mm)



ISO 9001 Supplier

RoHS Compliant



GN 558 | Steel Indexing Crank Handles

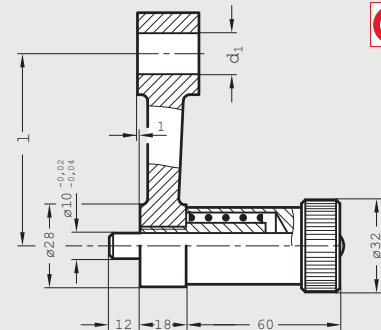
With Plain Through Bore or Through Bore with Keyway • Metric Size

Crank Body Malleable iron, deburred and sandblasted

Knurled Hand Piece Steel, ground with black oxide finish

Length l 2.95 – 6.50 inch (75 – 165 mm)

Diameter d₁ .630 – .945 inch (16 – 24 mm)



ISO 9001 Supplier

RoHS Compliant



GN 213 | Steel Turret Levers

Four Arm • With Through Bore

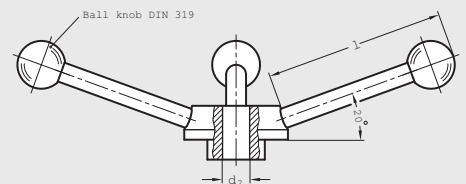


Hub and Arms Steel, black oxide finish

Ball Knob Black phenolic plastic, see DIN 319

Length l 3.23 – 6.69 inch (82 – 170 mm)

Diameter d₂ .472 – .945 inch (12 – 24 mm)



Both dimensions, inch and metric, are interchangeable.

ISO 9001 Supplier

RoHS Compliant