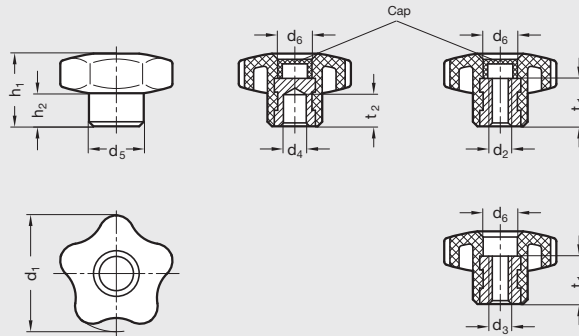


EN 5337.2 | Technopolymer Plastic Five Lobed Knobs

Inch and Metric Size • Blind Tapped, Tapped Through, or Plain Blind Bore Types



elesa®



ISO 9001 Supplier

RoHS Compliant

Special glass-fiber reinforced technopolymer plastic, black matte finish

Tapped blind insert

Brass, molded-in

Tapped through insert

Brass, molded-in

Plain blind bore insert

Inch sizes 1.26, 1.57 and 1.97-brass, molded-in;
size 2.48-steel, black oxide finish, molded in.
Metric sizes-steel, black oxide finish, molded in

Center cap

Black technopolymer, assembled into knob
Knobs with plain blind bore come complete with socket set screw for securing knob to shaft

Elesa® original design technopolymer plastic five lobed knobs.

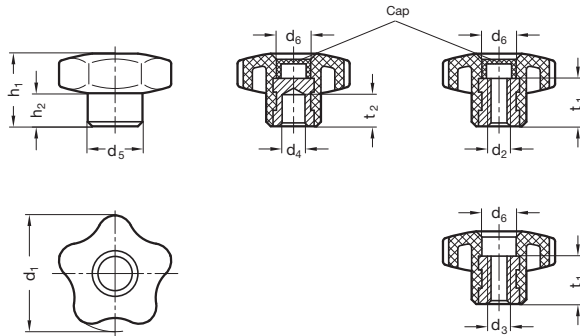
The special type of technopolymer used and matte finish make this knob elegant and “soft” to touch. The operator obtains a strong clamping action without any discomfort due to its ergonomic design: five lobes, blended radius and well proportioned rim height assure a natural, safe and comfortable grip. Resistant to solvents, oils, grease and other chemical agents. Metric tapped through or plain blind bores available upon request. Center cap available in other colors and/or imprints for certain minimum quantities.

Elesa Model VCT., VCT.FP

Inch Table – Threaded Inserts

Dimensions in: inches (millimeters)

Part Number	d ₁	d ₂ Tapped	d ₃ Through Thread	d ₅	d ₆	h ₁	h ₂	t ₁
1TAB1M/E	.98 (25)	10 – 32		.51 (13)	.31 (8)	.75 (19)	.31 (8)	.39 (10)
3TAB2M/E	1.26 (32)	1/4 – 20		.59 (15)	.39 (10)	.91 (23)	.39 (10)	.47 (12)
3TAB2M/D	1.26 (32)		1/4 – 20	.59 (15)	.39 (10)	.91 (23)	.39 (10)	.47 (12)
3TAB3M/E	1.57	1/4 – 20		.67	.51	1.06	.47	.71
5TAB3M/E	(40)	5/16 – 18		(17)	(13)	(27)	(12)	(18)
5TAB3M/D	1.57 (40)		5/16 – 18	.67 (17)	.51 (13)	1.06 (27)	.47 (12)	.71 (18)
5TAB4M/E	1.97	5/16 – 18		.75	.59	1.26	.55	.79
6TAB4M/E	(50)	3/8 – 16		(19)	(15)	(32)	(14)	(20)
6TAB4M/D	1.97 (50)		3/8 – 16	.75 (19)	.59 (15)	1.26 (32)	.55 (14)	.79 (20)
6TAB5M/E	2.48	3/8 – 16		.87	.75	1.46	.63	1.02
8TAB5M/E	(63)	1/2 – 13		(22)	(19)	(37)	(16)	(26)
6TAB5M/D	2.48		3/8 – 16	.87	.75	1.46	.63	1.02
8TAB5M/D	(63)		1/2 – 13	(22)	(19)	(37)	(16)	(26)
8TABBM/E	2.91 (74)	1/2 – 13		1.02 (26)	.67 (17)	1.71 (43.5)	.87 (22)	1.22 (31)



Inch Table – Plain Blind Bore

Dimensions in: inches (millimeters)

Part Number	d ₁	d ₄ Bore	d ₅	d ₆	h ₁	h ₂	t ₂ min.
1BAB2M/C	1.26 (32)	.250	.59 (15)	.39 (10)	.91 (23)	.39 (10)	.47 (12)
1BAB3M/C	1.57 (40)	.250	.67 (17)	.51 (13)	1.06 (27)	.47 (12)	.71 (18)
2BAB3M/C		.312					
2BAB4M/C	1.97 (50)	.312	.75 (19)	.59 (15)	1.26 (32)	.55 (14)	.79 (20)
3BAB4M/C		.375					
3BAG4/C	2.48 (63)	.375	.87 (22)	.75 (19)	1.46 (37)	.63 (16)	1.02 (26)
4BAG4/C		.500					
4BAG5/C	2.91 (74)	.500	1.02 (20)	.67 (17)	1.71 (43.5)	.87 (22)	.22 (31)

8

Clamping Knobs

Metric Table – Blind Threaded Insert

Dimensions in: millimeters (inches)

Part Number	d ₁	d ₂ Tapped	d ₅	d ₆	h ₁	h ₂	t ₁
5NAB1M/E	25 (.98)	M5 x .8	13 (.51)	8 (.31)	19 (.75)	8 (.31)	10 (.39)
6NAB2M/E	32 (1.26)	M6 x 1.0	15 (.59)	10 (.39)	23 (.91)	10 (.39)	12 (.47)
8NAB3M/E	40 (1.57)	M8 x 1.25	17 (.67)	13 (.51)	27 (1.06)	12 (.47)	18 (.71)
8NAB4M/E	50	M8 x 1.25	19	15	32	14	20
10NAB4M/E	(1.97)	M10 x 1.5	(.75)	(.59)	(1.26)	(.55)	(.79)
12NAB5M/E	63 (2.48)	M12 x 1.75	22 (.87)	19 (.75)	37 (1.46)	16 (.63)	26 (1.02)
12NABBM/E	74	M12 x 1.75	26	17	43.5	22	26
14NABBM/E	(2.91)	M14 x 2.0	(1.02)	(.67)	(1.71)	(.87)	(1.02)
16NABBM/E	74 (2.91)	M16 x 2.25	26 (1.02)	17 (.67)	43.5 (1.71)	22 (.87)	31 (1.22)
16NABCM/E	95 (3.74)	M16 x 2.25	32 (1.26)	20 (.79)	46 (1.81)	21 (.83)	22 (.87)