



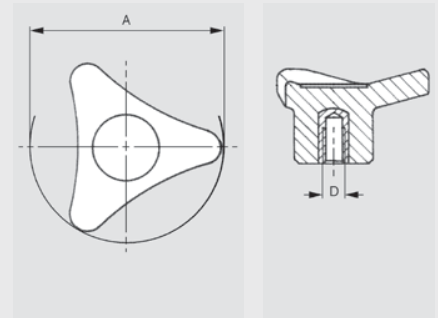
RoHS Compliant



**3P/B | Three Lobed Knobs**

Metric Size • With Tapped Insert

<b>Hand Knob</b>	Black phenolic plastic
<b>Tapped Insert</b>	Brass, molded-in
<b>Diameter A</b>	1.34 – 3.35 inch (34 – 85 mm)
<b>Thread D</b>	M6 – M10



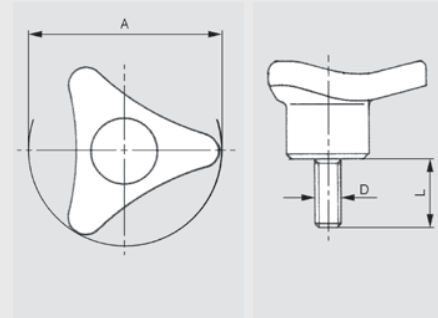
RoHS Compliant



**3P/P | Three Lobed Knobs**

Metric Size • With Threaded Stud

<b>Hand Knob</b>	Black phenolic plastic
<b>Threaded Stud</b>	Zinc plated steel, molded-in
<b>Diameter A</b>	1.34 – 2.56 inch (34 – 65 mm)
<b>Thread D</b>	M6 – M10
<b>Length L</b>	15 – 40 mm



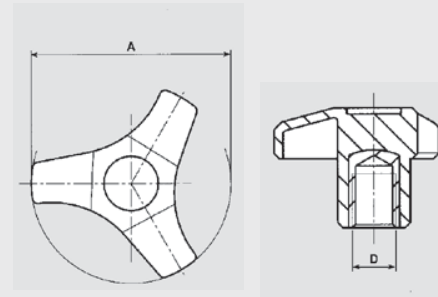
RoHS Compliant



**V3/B | Three Lobed Knobs**

Metric Size • With Tapped Insert

<b>Hand Knob</b>	Matte black nylon plastic
<b>Tapped Insert</b>	Brass, molded-in
<b>Diameter A</b>	1.77 – 2.17 inch (45 – 55 mm)
<b>Thread D</b>	M6 – M12



RoHS Compliant



**V3/B/FP | Three Lobed Knobs**

Metric Size • With Tapped Through Insert

<b>Hand Knob</b>	Matte black nylon plastic
<b>Tapped Insert</b>	Brass, molded-in
<b>Diameter A</b>	1.77 – 2.17 inch (45 – 55 mm)
<b>Thread D</b>	M6 – M12

