



GN 896.1 / GN 896.2 / GN 896.3 | Proximity Switches for Pneumatic Toggle Clamps

Metric Size

Voltage Range 3 to 110V AC/DC

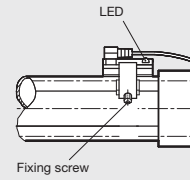
Current on .3 A or .25 A

Contact

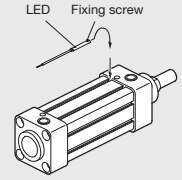
Cable 2 phase

Connector

Mounting GN 896.1 / GN 896.2



Mounting GN 896.3



ISO 9001 Supplier

RoHS Compliant



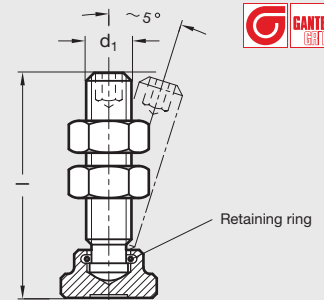
GN 802 | Clamping Toggle Screw Assemblies

Metric Size • With Steel Thrust Pad

Toggle Screw Steel, black oxide finish

Thread d₁ M5 – M12

Length l 1.46 – 4.13 inch (37 – 105 mm)



ISO 9001 Supplier

RoHS Compliant



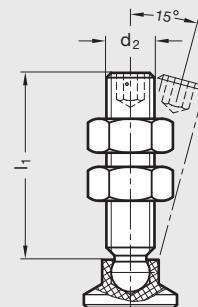
GN 903 | Toggle Clamp Screw Assemblies

Metric Size • With Nylon Thrust Pad

Toggle Screw Steel black oxide finish or stainless steel

Thread d₂ M6 – M12

Length l₁ 26 – 94 mm



ISO 9001 Supplier

RoHS Compliant



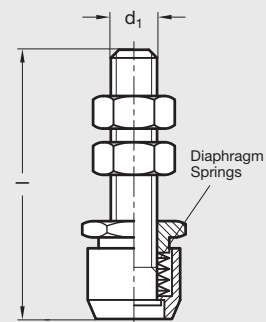
GN 804 | Clamping Toggle Screw Assemblies

Metric Size • for Toggle Clamps

Toggle Screw Steel, zinc plated

Thread d₁ M5 – M12

Length l 1.77 – 4.17 inch (45 – 106 mm)



ISO 9001 Supplier

RoHS Compliant