



GRUPO PEGAMO DESDE 1982



SUMINISTRO INDUSTRIAL

En Pegamo Suministro Industrial llevamos desde 1982 vendiendo, alquilando y reparando Herramienta Hidráulica, Herramienta Neumática y Herramienta Manual de las principales marcas del mercado.

Te asesoramos para que encuentres la mejor solución a las necesidades de tu empresa.

CONTACTA CON NOSOTROS

Pol. Lintzirin Gaina, B2
20180 Oiartzun.
Gipuzkoa - Spain

suministros@pegamo.es
T. 943 491 788
F. 943 371 001

➤ **Bolting Systems®**

PE60 SERIES PUMP

High Pressure Hydraulic Bolting Pump



SPXFLOW®

ENGINEERED TO DELIVER RELIABILITY

Designed and Configured to Meet A Variety of Tough Bolting Applications.

The Bolting Systems PE60 Series Hydraulic Pump offers increased control technology, longer run-time, and “plug and play” accessory options. The PE60 Series pumps meet a wide array of high-pressure bolting tool applications where durability, speed and performance is required.

Designed for

Torquing applications where hydraulic wrenches need to be driven manually or through a continuous cycle operation. The Bolting Systems PE60 Series Hydraulic Pump delivers the performance needed to improve productivity while keeping safety in mind.

Value Delivered.

- Industry leading, field proven , Power Team Vanguard Pump technology
- Ergonomic remote pendant, large button design, requiring low finger depression force to operate, decreasing operator fatigue, IP55 rated
- “Plug and Play” field installable accessories
- User friendly LCD / Keypad interface to enable quick setup and maximize productivity
- Weather resistant shrouds for motor/electrical protection (IPX4)



Large easy-to-use control panel. LCD interface option with high visibility in bright light.



Standard Control Panel

LCD Control Panel

Industry Leading heavy-duty pump for bolting applications

- LCD Models provide a host of information including digital pressure visibility, torque, run-time data and diagnostics, along with full control at the shroud and pendant.
- Standard or Intelligent Autocycle technology options for fast bolt/nut rundown
- True unloading valve achieves greater pump efficiency, allowing higher flow at maximum pressure.
- Reservoir size options available, refer to pump configuration page.
- Lightweight and portable. Best performance-to-weight ratio of all Bolting Systems pumps.
- 12 ft / 3m remote motor control Pendant
- Available in common voltages
110/115V – 50/60 Hz
220/230V – 50/60 Hz
- Optional accessories available, easily field installable (see Accessories page)

PUMP TECHNOLOGY AT A GLANCE



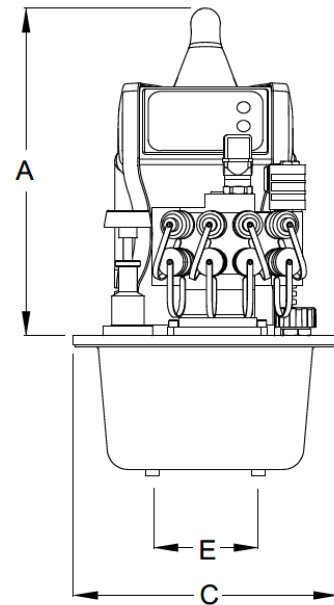
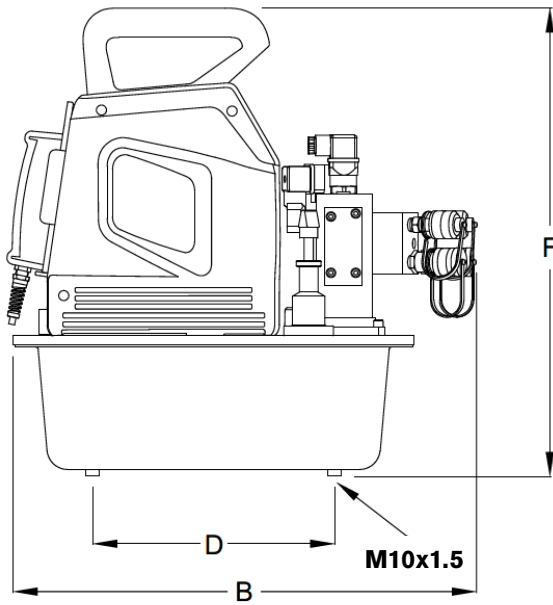
TECHNICAL DIMENSIONS



PE603BD1P - 115VAC, with LCD, 4-Tool



PE602BE1P - 230VAC, 1-Tool



Technical Specifications

A	B	C	D	E	F	Max Pressure Output Bar (psi)	RPM	dBA at Idle and Max Press	Amp Draw at Max Pressure	**Oil Delivery - l/min (cu.in/min) @				Wt* kg (lbs)
										7 Bar (100psi)	34 Bar (500psi)	345 Bar (5000 psi)	689 Bar (10000 psi)	
millimetres (inches)									230v (115v)					
334 (16.17)	474 (18.68)	271 (10.65)	248 (9.75)	108 (4.25)	477 (18.79)	700 (10,000)	12,000	83 / 91	14A (28A)	11.5 (700)	7.8 (475)	1.2 (70)	1.0 (60)	31.5 (69.4)

* Weight typical for PE601BA1P, including oil

** Delivery values may differ depending upon valve configuration

CONFIGURATIONS

Model Numbers / Ordering Information

Order Number	Pump Description	Function Control	Valve	LCD Equipped	Auto-cycle Capable	Usable Oil Capacity Litres (US Gal)
PE601BA1P	PE60 115 VAC 50/60 Hz, Single Phase, 1-Tool, 1.5 Gal	Remote Pendant	1-Port / 1-Tool	No	No	4.8 (1.28)
PE601BC1P	PE60 115 VAC 50/60 Hz, Single Phase, 4-Tool, 1.5 Gal	Remote Pendant	4-Port / 4-Tool	No	No	4.8 (1.28)
PE603BB1P	PE60 115 VAC 50/60 Hz, Single Phase, LCD-Autocycle, 1-Tool, 1.5 Gal	Remote Pendant	1-Port / 1-Tool	Yes	Yes	4.8 (1.28)
PE603BD1P	PE60 115 VAC 50/60 Hz, Single Phase, LCD-Autocycle, 4-Tool, 1.5 Gal	Remote Pendant	4-Port / 4-Tool	Yes	Yes	4.8 (1.28)
PE601BA2P	PE60 115 VAC 50/60 Hz, Single Phase, 1-Tool, 2.5 Gal	Remote Pendant	1-Port / 1-Tool	No	No	8.7 (2.30)
PE601BC2P	PE60 115 VAC 50/60 Hz, Single Phase, 4-Tool, 2.5 Gal	Remote Pendant	4-Port / 4-Tool	No	No	8.7 (2.30)
PE603BB2P	PE60 115 VAC 50/60 Hz, Single Phase, LCD-Autocycle, 1-Tool, 2.5 Gal	Remote Pendant	1-Port / 1-Tool	Yes	Yes	8.7 (2.30)
PE603BD2P	PE60 115 VAC 50/60 Hz, Single Phase, LCD-Autocycle, 4-Tool, 2.5 Gal	Remote Pendant	4-Port / 4-Tool	Yes	Yes	8.7 (2.30)
PE602BE1P	PE60 230 VAC 50/60 Hz, Single Phase, 1-Tool, 1.5 Gal	Remote Pendant	1-Port / 1-Tool	No	No	4.8 (1.28)
PE602BG1P	PE60 230 VAC 50/60 Hz, Single Phase, 4-Tool, 1.5 Gal	Remote Pendant	4-Port / 4-Tool	No	No	4.8 (1.28)
PE604BF1P	PE60 230 VAC 50/60 Hz, Single Phase, LCD-Autocycle, 1-Tool, 1.5 Gal	Remote Pendant	1-Port / 1-Tool	Yes	Yes	4.8 (1.28)
PE604BH1P	PE60 230 VAC 50/60 Hz, Single Phase, LCD-Autocycle, 4-Tool, 1.5 Gal	Remote Pendant	4-Port / 4-Tool	Yes	Yes	4.8 (1.28)
PE602BE2P	PE60 230 VAC 50/60 Hz, Single Phase, 1-Tool, 2.5 Gal	Remote Pendant	1-Port / 1-Tool	No	No	8.7 (2.30)
PE602BG2P	PE60 230 VAC 50/60 Hz, Single Phase, 4-Tool, 2.5 Gal	Remote Pendant	4-Port / 4-Tool	No	No	8.7 (2.30)
PE604BF2P	PE60 230 VAC 50/60 Hz, Single Phase, LCD-Autocycle, 1-Tool, 2.5 Gal	Remote Pendant	1-Port / 1-Tool	Yes	Yes	8.7 (2.30)
PE604BH2P	PE60 230 VAC 50/60 Hz, Single Phase, LCD-Autocycle, 4-Tool, 2.5 Gal	Remote Pendant	4-Port / 4-Tool	Yes	Yes	8.7 (2.30)



“PLUG & PLAY” AFTERMARKET ACCESSORIES

Oil Cooler Kits

Order No.	Description
3001177	Oil Cooler kit designed for use with PE60 pumps with 115VAC Wt. 3.4kg (7.5lbs)
3001183	Oil Cooler kit designed for use with PE60 pumps with 230VAC Wt. 3.4kg (7.5lbs)

Roll Cage

Order No.	Description
3001348	Roll Cage for use with PE60 pumps Wt. 4.5kg (10lbs)



CUSTOMER SERVICE CENTERS

Rockford, Illinois USA
5885 11th Street
Rockford, IL 61109 USA
Tel: +1 815 874 5556
Fax: +1 800 288 7031
info@spxboltingsystems.com

Gonzales, Louisiana USA
3141 S. Darla Avenue
Gonzales, LA 70737 USA
Tel: +1 225 774 0888
Fax: +1 225 450 2211
louisiana@spxboltingsystems.com

Houston, Texas USA
3106 E. Pasadena Frwy
Pasadena, TX 77503 USA
Tel: +1 713 472 2500
Fax: +1 713 472 2501
houston@spxboltingsystems.com

Corpus Christi, Texas USA
4930 Gemini Street
Corpus Christi, TX 78405 USA
Tel: +1 361 445 3727
Fax: +1 361 445 3728
corpus.christi.sc@spxboltingsystems.com

Europe
Albert Thijsstraat 12
6471 WX Eygelshoven
The Netherlands
Tel: +31 45 567 8877
Fax: +31 45 567 8878
europe@spxboltingsystems.com

India
SPX Flow Technology (India)
Pvt. Limited Survey No. 275
Odhav, Ahmedabad - 382 415
Tel: +91 99099 85454
Fax: +91 97277 19950
india@spxboltingsystems.com

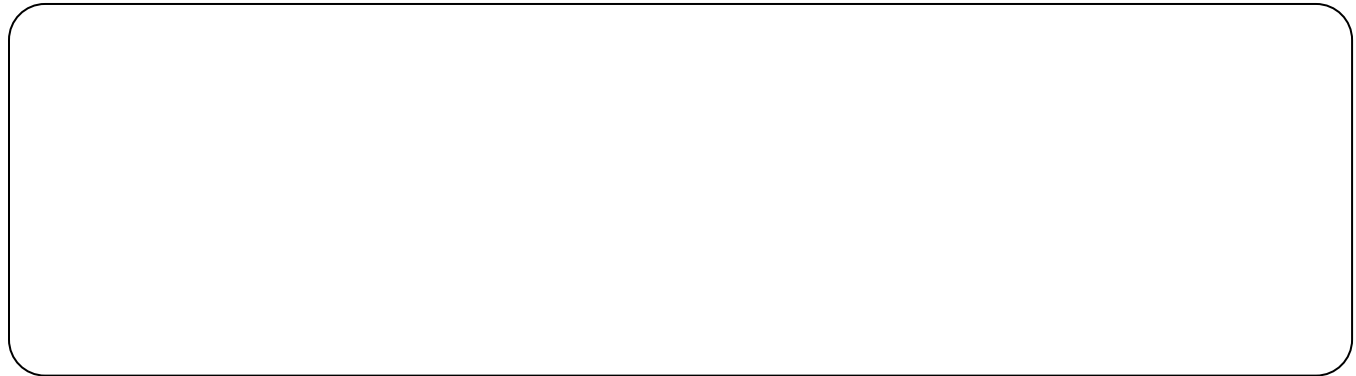
Global Technical Bolting Support
boltingsupport@spxflow.com

South East Asia
20 Pioneer Crescent #06-01,
West Park BizCentral
Singapore 628555
Tel: +65 6265 3343
Fax: +65 6265 6646
singapore@spxboltingsystems.com

China
7F Treasury Building
1568 Hua shan Road
Shanghai, 200052 China
Tel: +86 21 2208 5660
Fax: +86 21 2208 5682
china@spxboltingsystems.com

Australia
SPX Flow Technology
Australia Pty. Ltd.
Quad 2, 6 Parkview Drive
Homebush Bay NSW 2127
Tel: +61 02 9763 4900
Fax: +61 02 9763 7888
ft.aus.cs@spxflow.com

Distributed by:



SPX FLOW, Inc. reserves the right to incorporate our latest design and material changes without notice or obligation. Design features, materials of construction and dimensional data, as described in this bulletin, are provided for your information only and should not be relied upon unless confirmed in writing. Please contact your local sales representative for product availability in your region. The green “>” is a trademark of SPX FLOW, Inc.

For more information, visit www.spxflow.com.

