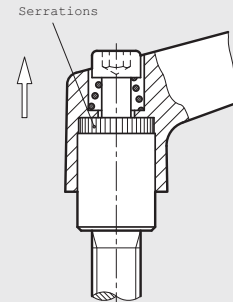
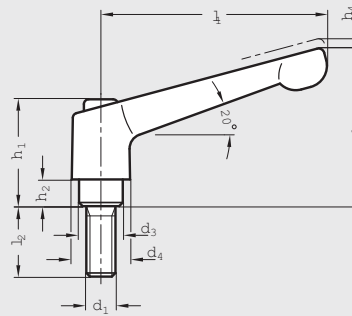


GN 300.5 | Stainless Steel Adjustable Levers

With Stainless Steel Components • Threaded Stud Type • Inch and Metric Size



1

Adjustable Levers

ISO 9001 Supplier

RoHS Compliant

Handle

Stainless steel, sand blasted satin finish
European Standard No. 1.4301 (American standard 304 series)

Insert & screw

Stainless steel, European Standard No. 1.4035
(American standard 303 series)

Spring

Stainless steel, European Standard No. 1.4310
(American standard 301 series)

All stainless steel construction makes this lever appropriate for applications in the food processing and chemical industries. All levers have proven to be ideal wherever parts have to be clamped in a confined space or in a particular lever position. The insert is connected to the lever via serrations which can easily be disengaged.

Pulling the lever upwards disengages the serrations, allowing it to be swivelled to the ideal clamping position. When releasing the lever, the serrations automatically re-engage.

Special stud lengths available upon request.

Inch Table

Dimensions in: inches (millimeters)

Part Number	l ₁	d ₁ Thread	l ₂ Stud Length	d ₃	d ₄	h ₁	h ₂	h ₃	h ₄
1T12AZ6	1.77 (45)	10-32	.47	.39 (10)	.51 (13)	.96 (24.5)	.16 (4)	1.38 (35)	.14 (3.5)
1T16AZ6			.63						
1T20AZ6			.78						
1T25AZ6			.98						
1T32AZ6			1.26						
2T16AZ6		10-24	.63						
2T20AZ6			.78						
2T25AZ6			.98						
2T32AZ6			1.26						
3T12AZ6			1/4-20						
3T16AZ6		.63							
3T20AZ6		.78							
3T25AZ6		.98							
3T32AZ6		1.26							
3T40AZ6		1.57							
3T45AZ6		1.77							

Table continued...



Dimensions in: inches (millimeters)

Part Number	l ₁	d ₁ Thread	l ₂ Stud Length	d ₃	d ₄	h ₁	h ₂	h ₃	h ₄
5T16AZ7	2.48 (63)	5/16-18	.63	.53 (13.5)	.69 (17.5)	1.22 (31)	.26 (6.5)	1.77 (45)	.16 (4)
5T20AZ7			.78						
5T25AZ7			.98						
5T32AZ7			1.26						
5T40AZ7			1.57						
5T45AZ7			1.77						
5T50AZ7			1.97						
5T63AZ7		2.48							
6T16AZ7		3/8-16	.63						
6T20AZ7			.78						
6T25AZ7			.98						
6T32AZ7			1.26						
6T40AZ7			1.77						
6T50AZ7			1.97						
6T16AZ8	3.07 (78)		3/8-16	.63	.63 (16)	.83 (21)	1.42 (36)	.31 (8)	2.17 (55)
6T20AZ8		.78							
6T25AZ8		.98							
6T32AZ8		1.26							
6T40AZ8		1.57							
6T45AZ8		1.77							
6T50AZ8		1.97							
6T63AZ8		2.48							
8T20AZ8		1/2-13	.78						
8T25AZ8			.98						
8T32AZ8			1.26						
8T40AZ8			1.57						
8T50AZ8			1.97						

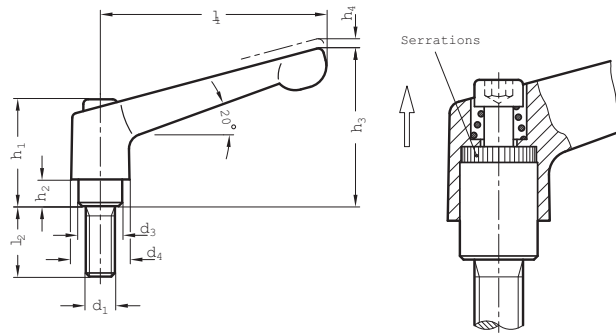
1 Adjustable Levers

Metric Table

Dimensions in: millimeters (inches)

Part Number	l ₁	d ₁ Thread	l ₂ Stud Length	d ₃	d ₄	h ₁	h ₂	h ₃	h ₄
5N12AZ6	45 (1.77)	M5 x .8	12	10 (.39)	13 (.51)	24.5 (.96)	4 (.16)	35 (1.38)	3.5 (.14)
5N16AZ6			16						
5N20AZ6			20						
5N25AZ6			25						
5N32AZ6			32						
5N40AZ6			40						
5N45AZ6			45						
5N50AZ6			50						
6N12AZ6			M6 x 1.0						
6N16AZ6		16							
6N20AZ6		20							
6N25AZ6		25							
6N32AZ6		32							
6N40AZ6		40							
6N45AZ6		45							
6N50AZ6		50							

Table continued...



1

Adjustable Levers

Dimensions in: millimeters (inches)

Part Number	l_1	d_1 Thread	l_2 Stud Length	d_3	d_4	h_1	h_2	h_3	h_4								
5N12AZ6	45 (1.77)	M5 x .8	12	10 (.39)	13 (.51)	24.5 (.96)	4 (.16)	35 (1.38)	3.5 (.14)								
5N16AZ6			16														
5N20AZ6			20														
5N25AZ6			25														
5N32AZ6			32														
5N40AZ6			40														
5N45AZ6			45														
5N50AZ6			50														
6N12AZ6			63 (2.48)							M6 x 1.0	12	13.5 (.53)	17.5 (.69)	31 (1.22)	6.5 (.26)	45 (1.77)	4 (.16)
6N16AZ6											16						
6N20AZ6	20																
6N25AZ6	25																
6N32AZ6	32																
6N40AZ6	40																
6N45AZ6	45																
6N50AZ6	50																
6N16AZ7	78 (3.07)	M8 x 1.25		16	16 (.63)	21 (.83)	36 (1.42)	8 (.31)	55 (2.17)		4 (.16)						
6N20AZ7				20													
6N25AZ7			25														
6N32AZ7			32														
6N40AZ7			40														
6N45AZ7			45														
6N50AZ7			50														
6N63AZ7			63														
10N20AZ8				M10 x 1.5						20		16 (.63)	21 (.83)	36 (1.42)	8 (.31)	55 (2.17)	4 (.16)
10N25AZ8										25							
10N32AZ8	32																
10N40AZ8	40																
10N45AZ8	45																
10N50AZ8	50																
10N63AZ8	63																
10N80AZ8	80																