

EN 528 | Plastic Cabinet "U" Handles

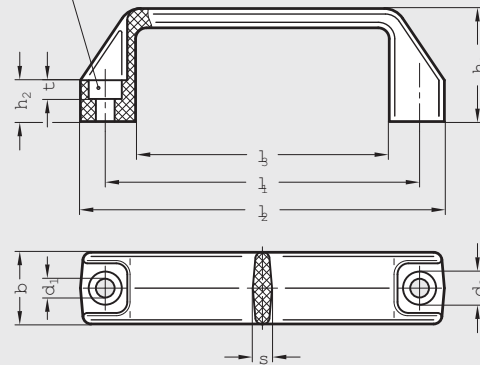
With Counterbored Mounting Holes



elesa®



Bore for socket head cap screw DIN 912



3

ISO 9001 Supplier

Call for RoHS

Handle

Special glass-fiber reinforced technopolymer plastic, matte finish

Mounting holes

Counterbored for inch and metric socket cap screws

Part number shown is black; to order other colors, substitute following suffix for "K" in part number as follows:

Optional colors

- O** Orange, RAL 2004
- G** Gray, RAL 7031
- R** Red, RAL 3000 (only available for 117 and 179 series)

Elesa® original design technopolymer plastic cabinet "U" handles.

Resistant to solvents, oils, grease and other chemical agents.

Suitable for just about any application.

Maximum heat resistance: 150°C (300°F).

Various metric and inch size fasteners and kit packaging available upon request.

Elesa Model M.443-CH

Metric Table

Dimensions in: millimeters (inches)

Part Number*	l ₁	b	d ₁ Mounting Holes	d ₂	h ₁	h ₂	l ₂	l ₃	s	t
21W94BA7K	93.5 (3.68)	21 (.83)	6.5 (.26)	10.5 (.41)	36 (1.42)	13 (.51)	107 (4.21)	74 (2.91)	6 (.24)	7 (.28)
26W117BA7K	117 (4.61)	26 (1.02)	8.5 (.33)	13.5 (.53)	41 (1.61)	15 (.59)	134 (5.28)	95 (3.74)	7 (.28)	8.5 (.33)
27W132BA7K	132 (5.20)	27 (1.06)	8.5 (.33)	13.5 (.53)	45 (1.77)	16 (.63)	150 (5.91)	108 (4.25)	7 (.28)	8.5 (.33)
28W179BA7K	179 (7.05)	28 (1.10)	8.5 (.33)	13.5 (.53)	50 (1.97)	17 (.67)	197 (7.76)	153 (6.02)	8 (.31)	8.5 (.33)
30W235BA7K	235 (9.25)	30 (1.18)	10.5 (.41)	16.5 (.65)	54 (2.13)	20 (.79)	260 (10.24)	204 (8.03)	9 (.35)	10.5 (.41)

* For optional-standard colors replace the last digit with the desired suffix: **O** (Orange, RAL 2004), **G** (Gray, RAL 7031), **R** (Red, RAL 3000).
Example of part number for Orange, RAL 2004: 21W94BA7O