



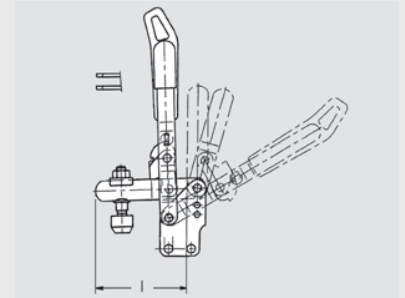
ISO 9001 Supplier



6802-S | Vertical Acting Toggle Clamps

Metric Size • With Safety Interlock and Vertical Mounting Base

Toggle Clamp	Steel, zinc plated
Holding	1400 – 3000 N
Capacity	
Length l	96 – 122 mm



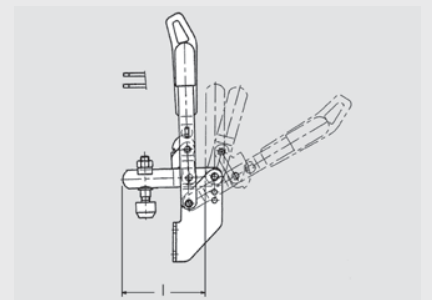
ISO 9001 Supplier



6803-S | Vertical Acting Toggle Clamps

Metric Size • With Safety Interlock and Angled Mounting Base

Toggle Clamp	Steel, zinc plated
Holding	1400 – 2500 N
Capacity	
Length l	81 mm



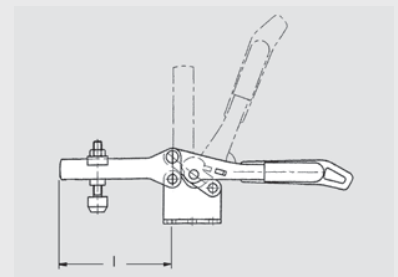
ISO 9001 Supplier



6830-S | Horizontal Acting Toggle Clamps

Metric Size • With Safety Interlock and Horizontal Mounting Base

Toggle Clamp	Steel, zinc plated
Holding	1800 – 3000 N
Capacity	
Length l	72 – 111 mm



ISO 9001 Supplier



6832-S | Horizontal Acting Toggle Clamps

Metric Size • With Safety Interlock and Vertical Mounting Base

Toggle Clamp	Steel, zinc plated
Holding	1400 – 3000 N
Capacity	
Length l	152 mm

