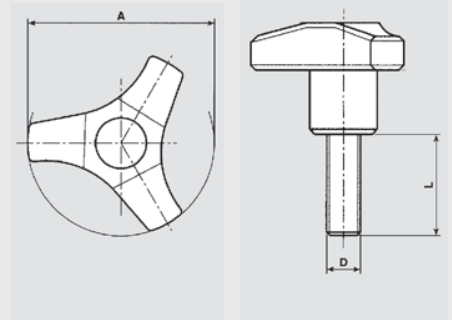




**V3/B/P | Three Lobed Knobs**

Metric Size • With Threaded Stud

<b>Hand Knob</b>	Matte black nylon plastic
<b>Threaded Stud</b>	Zinc-plated steel, molded-in
<b>Diameter A</b>	1.77 – 2.17 inch (45 – 55 mm)
<b>Thread D</b>	M6 – M10
<b>Length L</b>	15 – 40 mm



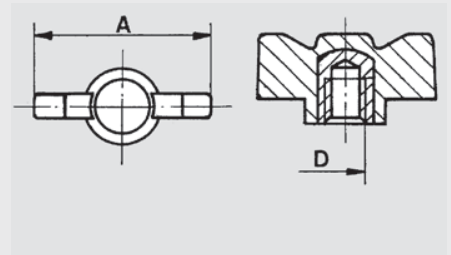
RoHS Compliant



**GB1 | Wing Nuts**

Metric Size • With Tapped Insert

<b>Wing Body</b>	Matte black nylon plastic
<b>Tapped Insert</b>	Brass, molded-in
<b>Diameter A</b>	1.18 inch (30 mm)
<b>Thread D</b>	M4 – M8



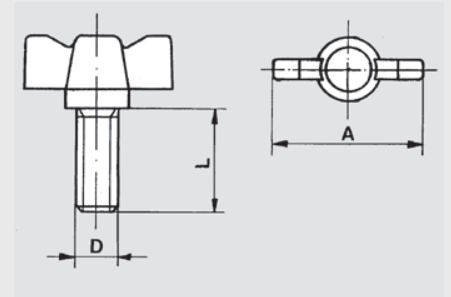
RoHS Compliant



**GP1 | Wing Screws**

Metric Size • With Threaded Stud

<b>Wing Body</b>	Matte black nylon plastic
<b>Threaded Stud</b>	Zinc-plated steel, molded-in
<b>Diameter A</b>	1.18 inch (30 mm)
<b>Thread D</b>	M4 – M8
<b>Length L</b>	15 – 25 mm



RoHS Compliant

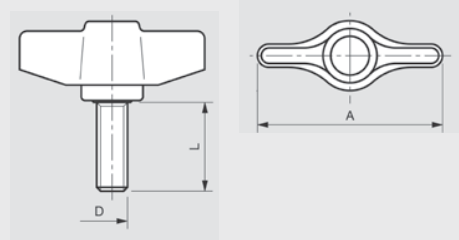


**GPX | Wing Screws**

Metric Size • With Stainless Steel Threaded Stud



<b>Wing Body</b>	Matte black nylon plastic
<b>Threaded Stud</b>	Stainless steel, molded-in
<b>Diameter A</b>	1.34 inch (34 mm)
<b>Thread D</b>	M6
<b>Length L</b>	20 – 30 mm



RoHS Compliant