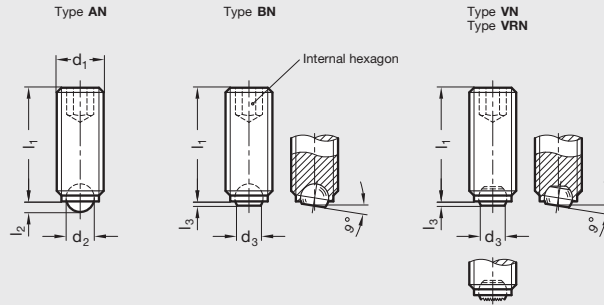


GN 605-NI | Stainless Steel Socket Set Screws

Inch and Metric Size • With Full, Flat and Serrated Ball Point Ends



ISO 9001 Supplier

RoHS Compliant

Body

Stainless steel
European standard 1.4301
(American standard 304)

Ball

Stainless steel 1.4006
(American standard 410)
Hardened

Stainless steel socket set screws with full ball point GN 606 type AN are used in applications where a ball point is required. The flat faced moveable ball allows the clamping or supporting of non-parallel surfaces. Indentation on the workpiece is eliminated and the workpiece does not alter its position during clamping.

Socket set screws with safety twist ball are designed so the flat faced ball cannot twist more than a maximum of 9 degrees. This allows full clamping of the flat faced ball at all times. Stainless steel socket head cap screws with ball point, see GN 606-NI, page 632.

Inch Table – Full and Flat Balls without Safety Feature

Dimensions in: inches (millimeters)

Part Number		d ₁	l ₁	d ₂	d ₃	l ₂ ≈	A/F
Full Ball	Flat Ball	Thread	Thread Length				
25T2500P46/AN	–	6-32	.250	.078 (1.98)	.061 (1.56)	.024 (.61)	.063 (1.59)
15T37P46/AN	15T37P46/BN	8-32	.375	.094 (2.38)	.075 (1.91)	.030 (.76)	.078 (1.98)
2T5000P46/AN	2T5000P46/BN	10-24	.500	.125 (3.18)	.103 (2.61)	.039 (.99)	.094 (2.38)
2T580P46/AN	2T580P46/BN		.625				
1T5000P46/AN	1T5000P46/BN	10-32	.500	.125 (3.18)	.103 (2.61)	.039 (.99)	.094 (2.38)
1T580P46/AN	1T580P46/BN		.625				
3T5000P46/AN	3T5000P46/BN	1/4-20	.500	.156 (3.97)	.124 (3.14)	.049 (1.24)	.125 (3.18)
3T580P46/AN	3T580P46/BN		.625				
5T75P46/AN	5T75P46/BN	5/16-18	.750	.219 (5.56)	.172 (4.37)	.067 (1.70)	.156 (3.97)
5T87P46/AN	5T87P46/BN		.875				
6T580P46/AN	6T580P46/BN	3/8-16	.625	.266 (6.75)	.210 (5.32)	.079 (2.01)	.187 (4.76)
6T75P46/AN	6T75P46/BN		.750				
8T75P46/AN	8T75P46/BN	1/2-13	.750	.344 (8.73)	.266 (6.76)	.102 (2.59)	.250 (6.35)
8T1500P46/AN	8T1500P46/BN		1.50				

11

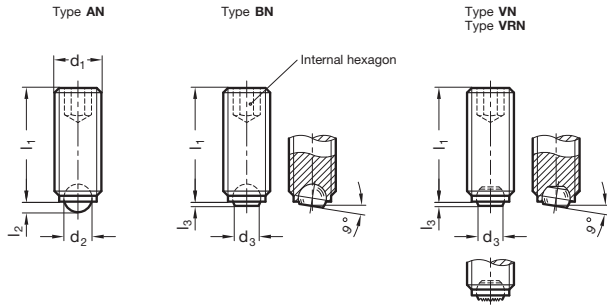
Jig, Fixture and Fastening Components

Metric Table – Full and Flat Balls without Safety Feature

Dimensions in: millimeters (inches)

Part Number		d ₁	l ₁	d ₂	d ₃	l ₂ ≈	A/F
Full Ball	Flat Ball	Thread	Thread Length				
4N6P46/AN	4N6P46/BN	M4 x .7	6	2.5 (.10)	2.2 (.09)	.4 (.02)	2 (.08)
4N10P46/AN	4N10P46/BN		10				
4N16P46/AN	4N16P46/BN		16				
5N8P46/AN	5N8P46/BN	M5 x .8	8	3 (.12)	2.4 (.09)	.6 (.02)	2.5 (.10)
5N12P46/AN	5N12P46/BN		12				
5N20P46/AN	5N20P46/BN		20				

Table continued...



Dimensions in: millimeters (inches)

Part Number		d ₁	l ₁	d ₂	d ₃	l ₂ ≈	A/F
Full Ball	Flat Ball	Thread	Thread Length				
6N10P46/AN	6N10P46/BN	M6 x 1.0	10	4 (.16)	3.2 (.13)	.8 (.03)	3 (.12)
6N16P46/AN	6N16P46/BN		16				
6N20P46/AN	6N20P46/BN		20				
6N25P46/AN	6N25P46/BN		25				
8N10P46/AN	8N10P46/BN	M8 x 1.25	10	5.5 (.22)	4.5 (.18)	1.2 (.05)	4 (.16)
8N12P46/AN	8N12P46/BN		12				
8N20P46/AN	8N20P46/BN		20				
8N25P46/AN	8N25P46/BN		25				
8N30P46/AN	8N30P46/BN		30				
10N12P46/AN	10N12P46/BN	M10 x 1.5	12	7 (.28)	6 (.24)	1.7 (.07)	5 (.20)
10N16P46/AN	10N16P46/BN		16				
10N20P46/AN	10N20P46/BN		20				
10N25P46/AN	10N25P46/BN		25				
10N35P46/AN	10N35P46/BN		35				
12N16P46/AN	12N16P46/BN	M12 x 1.75	16	8.5 (.33)	7.2 (.28)	2 (.08)	6 (.24)
12N20P46/AN	12N20P46/BN		20				
12N30P46/AN	12N30P46/BN		30				
12N40P46/AN	12N40P46/BN		40				
16N20P46/AN	16N20P46/BN	M16 x 2.0	20	12 (.47)	10.7 (.42)	3.3 (.13)	8 (.31)
16N25P46/AN	16N25P46/BN		25				
16N35P46/AN	16N35P46/BN		35				
16N50P46/AN	16N50P46/BN		50				

11

Jig, Fixture and Fastening Components

Metric Table – Flat Balls with Safety Twist Feature

Dimensions in: millimeters (inches)

Part Number		d ₁	l ₁	d ₃	A/F
Plain Flat Ball	Serrated Flat Ball	Thread	Thread Length		
6N10P46/VN	6N10P46/VRN	M6 x 1.0	10	3.2 (.13)	3 (.12)
6N16P46/VN	6N16P46/VRN		16		
6N20P46/VN	6N20P46/VRN		20		
6N25P46/VN	6N25P46/VRN		25		
8N10P46/VN	8N10P46/VRN	M8 x 1.25	10	4.5 (.18)	4 (.16)
8N12P46/VN	8N12P46/VRN		12		
8N20P46/VN	8N20P46/VRN		20		
8N25P46/VN	8N25P46/VRN		25		
8N30P46/VN	8N30P46/VRN		30		
10N12P46/VN	10N12P46/VRN	M10 x 1.5	12	6 (.24)	5 (.20)
10N16P46/VN	10N16P46/VRN		16		
10N20P46/VN	10N20P46/VRN		20		
10N25P46/VN	10N25P46/VRN		25		
10N35P46/VN	10N35P46/VRN		35		

Table continued...



Dimensions in: millimeters (*inches*)

Part Number		d ₁ Thread	l ₁ Thread Length	d ₃	A/F	
Plain Flat Ball	Serrated Flat Ball					
12N16P46/VN	12N16P46/VRN	M12 x 1.75	16	7.2 (.28)	6 (.24)	
12N20P46/VN	12N20P46/VRN		20			
12N30P46/VN	12N30P46/VRN		30			
12N40P46/VN	12N40P46/VRN		40			
16N20P46/VN	16N20P46/VRN	M16 x 2.0	20	10.7 (.42)	8 (.31)	
16N25P46/VN	16N25P46/VRN		25			
16N35P46/VN	16N35P46/VRN		35			
16N50P46/VN	16N50P46/VRN		50			

