



1

Adjustable Levers

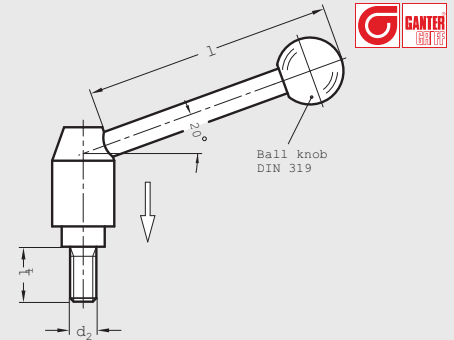


GN 312 | Steel Safety Heavy Duty Adjustable Levers



Metric Size, Steel • Threaded Stud Type

Handle	Carbon steel, black oxide finish
Ball knob	Black phenolic, DIN 319
Length l	70 – 124 mm (2.76 – 4.88 inch)
Stud length l₁	16 – 80 mm
Thread d₂	M 8 – M 16



ISO 9001 Supplier

RoHS Compliant

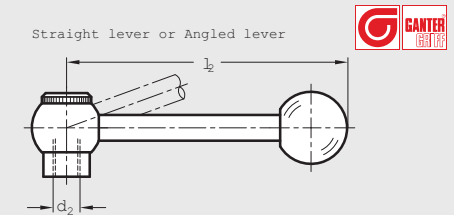


GN 6337.3 | Steel Adjustable Ball Levers



Metric Size, Steel • Tapped Type

Handle	Carbon steel, black oxide finish
Length l₂, l₃	70 – 116 mm (2.76 – 4.29 inch)
Tapped d₂	M 6 – M 12
Ball knob	Black phenolic, DIN 319
Types	Straight lever or angled lever



ISO 9001 Supplier

RoHS Compliant

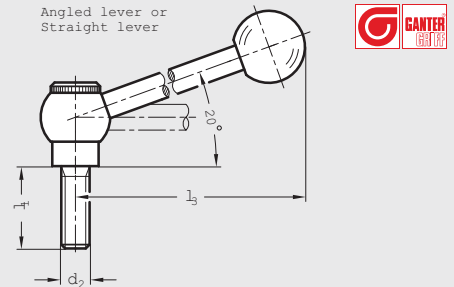


GN 6337.3 | Steel Adjustable Ball Levers



Metric Size, Steel • Threaded Stud Type

Handle	Carbon Steel, black oxide finish
Ball knob	Black phenolic, DIN 319
Length l₂, l₃	70 – 116 mm (2.76 – 4.29 inch)
Stud length l₁	20 – 80 mm
Thread d₂	M 8 – M 12
Types	Straight lever or angled lever



ISO 9001 Supplier

RoHS Compliant