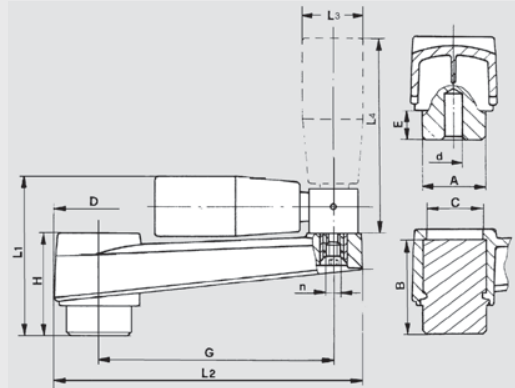


# MV/MR | Plastic Crank Handles

With Locking Retractable Handle



RoHS Compliant

## Crank body

Matte black glass filled nylon plastic

## Hub

Steel, zinc plated, molded-in

## Retractable handle

Black phenolic plastic, see MGR series for further details, page 182.

Both dimensions, inch and metric, are interchangeable

Crank handles with retractable hand piece are mainly used for applications where the hand piece must not protrude.

In the operating position, the hand piece is firmly locked. By pulling the hand piece in axial direction out of its locating cone, it can be folded back into place.

The spring holds the hand piece firmly in both positions.

Maximum heat resistance of nylon plastic crank body: 110°C (230°F).

Modifications, such as inch and metric bores, squares, keyways, set screw holes, etc. available upon request.

Also available in more economical version MH/PGR, with nylon plastic handle; call for price and delivery.

## Metric Table

Dimensions in: millimeters (*inches*)

Part Number	G	d Pilot Hole	L <sub>1</sub>	L <sub>2</sub>	A	D	H	E	B	C	L <sub>3</sub> Ø	L <sub>4</sub>	n Thread
6335130	80 (3.15)	4 (.157)	55 (2.17)	105 (4.13)	22 (.87)	30 (1.18)	36 (1.42)	10 (.39)	32 (1.26)	19 (.75)	21 (.83)	50 (1.97)	M5 x .8
6335140	100 (3.94)	4 (.157)	65 (2.56)	128 (5.04)	24 (.94)	34 (1.34)	40 (1.57)	10 (.39)	37 (1.46)	22 (.87)	25 (.98)	65 (2.56)	M6 x 1.0
6335150	130 (5.12)	6 (.236)	76 (2.99)	162 (6.38)	28 (1.10)	40 (1.57)	49 (1.93)	14 (.55)	44 (1.73)	26 (1.02)	25 (.98)	65 (2.56)	M6 x 1.0
6335160	160 (6.30)	6 (.236)	87 (3.43)	196 (7.72)	34 (1.34)	45 (1.77)	55 (2.17)	15 (.59)	49 (1.93)	28 (1.10)	28 (1.10)	85 (3.35)	M6 x 1.0

6  
Crank