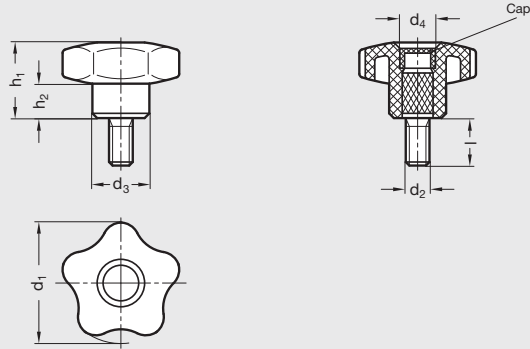


EN 5337.2 | Technopolymer Plastic Five Lobed Knobs

Inch and Metric Size • With Threaded Stud



elesa®

ISO 9001 Supplier

RoHS Compliant

Hand knob

Special glass-fiber reinforced technopolymer plastic, black matte finish

Threaded stud

Zinc-plated steel, molded in

Center cap

Black technopolymer, assembled into knob

Elesa® original design technopolymer plastic five lobed knobs.

The special type of technopolymer used and the matte finish make this knob elegant and “soft” to touch. The operator obtains a strong clamping action without any discomfort due to its ergonomic design: five lobes, blended radius and well proportioned rim height assure a natural, safe and comfortable grip.

Resistant to solvents, oils, grease and other chemical agents. For certain minimum quantities, center cap is available in other colors and/or imprints.

Elesa Model VCT.p

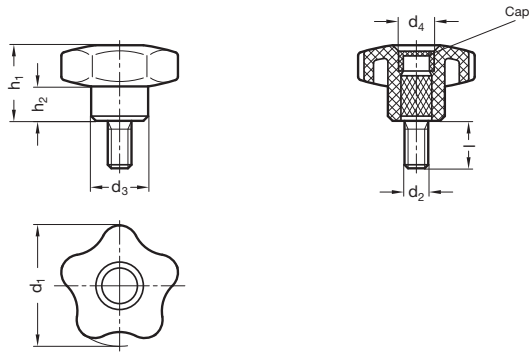
Inch Table

Dimensions in: inches (millimeters)

Part Number	d ₁	d ₂ Thread	l Stud Length	d ₃	d ₄	h ₁	h ₂
1T5000AB1	.98	10 – 32	.50	.51	.31	.75	.31
1T75AB1	(25)		.75	(13)	(8)	(19)	(8)
3T5000AB2	1.26 (32)	1/4 – 20	.50	.59	.39	.91	.39
3T75AB2			.75	(15)	(10)	(23)	(10)
3T1AB2			1.00				
3T5000AB3	1.57 (40)	1/4 – 20	.50	.67 (17)	.51 (13)	1.06 (27)	.47 (12)
3T1AB3			1.00				
5T75AB3		5/16 – 18	.75				
5T1AB3			1.00				
5T1AB4	1.97 (50)	5/16 – 18	1.00	.75 (19)	.59 (15)	1.26 (32)	.55 (14)
5T1120AB4			1.50				
6T1AB4		3/8 – 16	1.00				
6T1120AB4	1.50						
6T1250AB5	2.48 (63)	3/8 – 16	1.25	.87 (22)	.75 (19)	1.46 (37)	.63 (16)
6T2AB5			2.00				
8T1120AB5			1.50				
8T1120ABB	2.91 (74)	1/2 – 13	1.25	1.02 (26)	.67 (17)	1.71 (43.5)	.87 (22)
8T2ABB			2.00				

8

Clamping Knobs



Metric Table

Dimensions in: millimeters (inches)

Part Number	d ₁	d ₂ Tapped	l Stud Length	d ₃	d ₄	h ₁	h ₂
5N10AB1	25 (.98)	M5 x .8	10	13 (.51)	8 (.31)	19 (.75)	8 (.31)
5N16AB1			16				
5N20AB1			20				
6N10AB1		M6 x 1.0	10				
6N16AB1			16				
6N20AB1			20				
6N30AB1		30					
6N16AB2	32 (1.26)	M6 x 1.0	16	15 (.59)	10 (.39)	23 (.91)	10 (.39)
6N20AB2			20				
6N30AB2			30				
8N20AB2		M8 x 1.25	20				
8N30AB2			30				
8N40AB2		40					
6N20AB3	40 (1.57)	M6 x 1.0	20	17 (.67)	13 (.51)	27 (1.06)	12 (.47)
6N30AB3			30				
8N16AB3		M8 x 1.25	16				
8N25AB3			25				
8N35AB3			35				
8N45AB3		45					
8N20AB4	50 (1.97)	M8 x 1.25	20	19 (.75)	15 (.59)	32 (1.26)	14 (.55)
8N30AB4			30				
8N40AB4			40				
10N20AB4		M10 x 1.5	20				
10N30AB4			30				
10N40AB4			40				
10N50AB4		50					
10N20AB5	63 (2.48)	M10 x 1.5	20	22 (.87)	19 (.75)	37 (1.46)	16 (.63)
10N30AB5			30				
10N40AB5			40				
10N50AB5			50				
12N30AB5		M12 x 1.75	30				
12N50AB5	50						
12N30ABB	74 (2.91)	M12 x 1.75	30	26 (1.02)	17 (.67)	43.5 (1.71)	22 (.87)
12N50ABB			50				
12N70ABB			70				
14N50ABB	74 (2.91)	M14 x 2.0	50	26 (1.02)	17 (.67)	43.5 (1.71)	22 (.87)
16N50ABC	95 (3.74)	M16 x 2.25	50	32 (1.26)	20 (.79)	46 (1.81)	21 (.83)