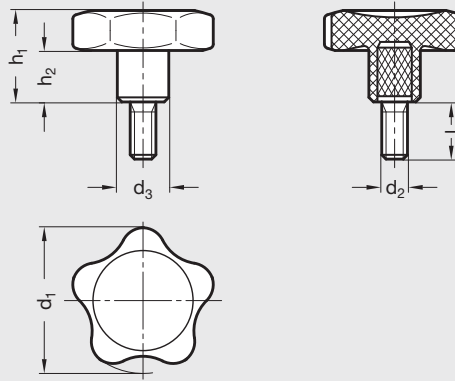


EN 5337.4 | Technopolymer Plastic Solid Five Lobed Knobs

Metric Size • With Stainless Steel Threaded Stud



ISO 9001 Supplier

RoHS Compliant

Hand knob

Special glass-fiber reinforced technopolymer plastic, black matte finish

Threaded stud

AISI 303 stainless steel, molded in

Elesa® original design technopolymer plastic solid five lobed knobs.

This technopolymer knob has been designed for applications on machines and equipment whose parts, for health reasons, must be frequently cleaned, using water jets or steam.

The five-lobed shape, which offers the fingers a secure grip, is solid, so that there are no cavities where unhealthy residues may be deposited.

Resistant to solvents, oils, grease and other chemical agents. Inch sizes available upon request.

Elesa Model VC. 692S-p-INOX

8

Clamping Knobs

Metric Table

Dimensions in: millimeters (inches)

Part Number	d ₁	d ₂ Thread	l Stud Length	d ₃	h ₁	h ₂
6N16BR3	32 (1.26)	M6 x 1.0	16	14 (.55)	22.5 (.89)	12.5 (.49)
6N20BR3			20			
6N30BR3			30			
8N20BR4	40 (1.57)	M8 x 1.25	20	15 (.59)	26 (1.02)	14 (.55)
8N30BR4			30			
8N40BR4			40			
10N20BR5	50 (1.97)	M10 x 1.5	20	18 (.71)	31 (1.22)	17 (.67)
10N30BR5			30			
10N40BR5			40			
12N30BR6	60 (2.36)	M12 x 1.75	30	21 (.83)	37 (1.46)	21 (.83)
12N40BR6			40			
12N50BR6			50			