



1

Adjustable Levers

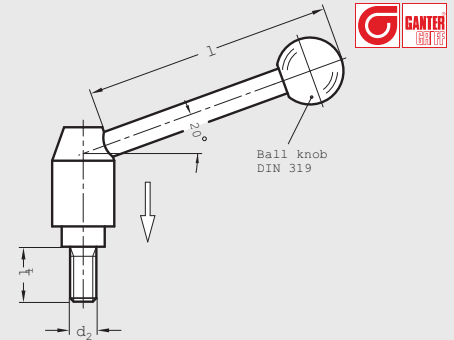


**GN 312 | Steel Safety Heavy Duty Adjustable Levers**



Metric Size, Steel • Threaded Stud Type

<b>Handle</b>	Carbon steel, black oxide finish
<b>Ball knob</b>	Black phenolic, DIN 319
<b>Length l</b>	70 – 124 mm (2.76 – 4.88 inch)
<b>Stud length l<sub>1</sub></b>	16 – 80 mm
<b>Thread d<sub>2</sub></b>	M 8 – M 16



ISO 9001 Supplier

RoHS Compliant

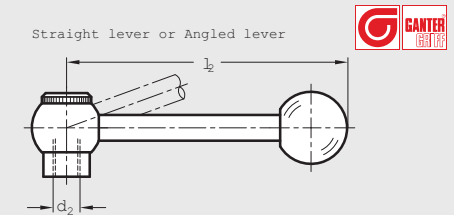


**GN 6337.3 | Steel Adjustable Ball Levers**



Metric Size, Steel • Tapped Type

<b>Handle</b>	Carbon steel, black oxide finish
<b>Length l<sub>2</sub>, l<sub>3</sub></b>	70 – 116 mm (2.76 – 4.29 inch)
<b>Tapped d<sub>2</sub></b>	M 6 – M 12
<b>Ball knob</b>	Black phenolic, DIN 319
<b>Types</b>	Straight lever or angled lever



ISO 9001 Supplier

RoHS Compliant

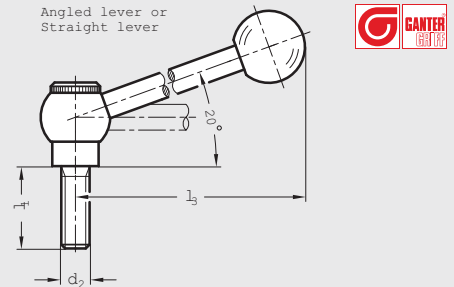


**GN 6337.3 | Steel Adjustable Ball Levers**



Metric Size, Steel • Threaded Stud Type

<b>Handle</b>	Carbon Steel, black oxide finish
<b>Ball knob</b>	Black phenolic, DIN 319
<b>Length l<sub>2</sub>, l<sub>3</sub></b>	70 – 116 mm (2.76 – 4.29 inch)
<b>Stud length l<sub>1</sub></b>	20 – 80 mm
<b>Thread d<sub>2</sub></b>	M 8 – M 12
<b>Types</b>	Straight lever or angled lever



ISO 9001 Supplier

RoHS Compliant