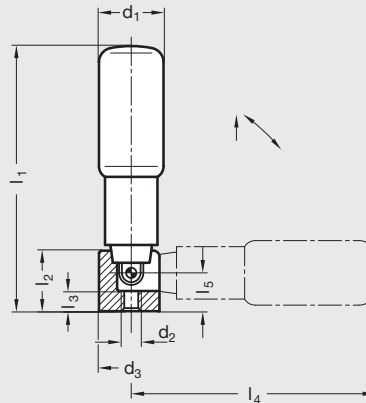


GN 798.5 | Plastic Stepped Retractable Handles

Metric Size • With Stainless Steel Locking Mechanism



ISO 9001 Supplier

RoHS Compliant

Hand piece

Black nylon plastic, matte finish, revolving

Spring loaded retractable mechanism

Stainless steel hub and stem
European Standard No. 1.4305
(American standard 303 series)

Stepped retractable handles are noted for their modern design, and the stepped shape provides the operator with a better grip.

Retractable handles are suitable when the handle must be withdrawn during automatic operations. The handle is pulled out of its taper seating in the direction of the arrow and then tilted. A compression spring locks the handle in both end positions.

A positive lock is achieved in the operating position by way of a tapered seating.

Maximum heat resistance of nylon plastic hand piece: 90°C (194°F).

Metric Table

Dimensions in: millimeters (inches)

Part Number	d ₁	d ₂ Thread	d ₃	l ₁ ~	l ₂	l ₃	l ₄ ~	l ₅
5NJ91	16 (.63)	M5 x .8	16 (.63)	58 (2.28)	15 (.59)	5 (.20)	52.5 (2.07)	9.5 (.37)
5NJ92	18 (.71)	M5 x .8	16 (.63)	72.5 (2.85)	15 (.59)	5 (.20)	67 (2.64)	9.5 (.37)
6NJ93	22 (.87)	M6 x 1.0	20 (.79)	80.5 (3.17)	19.5 (.77)	6 (.24)	74 (2.91)	10.5 (.41)
6NJ94	24 (.94)	M6 x 1.0	20 (.79)	95.5 (3.76)	19.5 (.77)	6 (.24)	89 (3.50)	10.5 (.41)
6NJ95	25 (.98)	M6 x 1.0	20 (.79)	105.5 (4.15)	19.5 (.77)	6 (.24)	98.5 (3.88)	10.5 (.41)