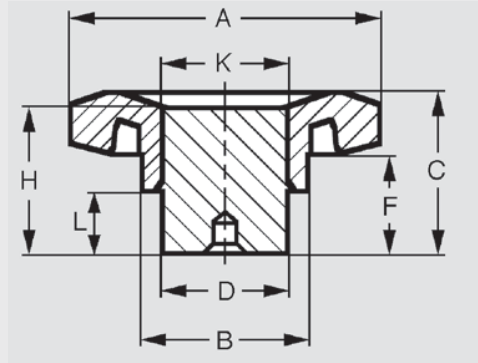
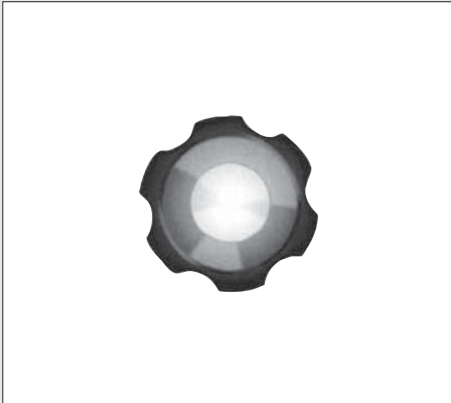


# LMA | Nylon Plastic Six-Lobed Control Knobs

With Through Steel Hub



RoHS Compliant

**Body**

Black glass fiber reinforced nylon plastic

**Hub insert**

Zinc plated steel, molded-in

Both dimensions, inch and metric, are interchangeable.

LMA thermoplastic six-lobed knobs are distinguished by their modern design. These handwheels are an excellent choice where heavy duty clamping is required. They are more shock resistant and an economical solution to their phenolic counterpart.

Maximum heat resistance: 110°C (230°F).

Modifications such as metric and inch size through bores, blind bores, and threaded bores, etc. available upon request.

9

Control Knobs

**Metric Table**

Dimensions in: millimeters (*inches*)

Part Number	A	Bore	B	C	F	D	L	H	K
6377005	50 (1.97)	Blank	25 (.98)	25 (.98)	13 (.51)	20 (.79)	10 (.39)	22 (.87)	20 (.79)
6377015	60 (2.36)	Blank	30 (1.18)	29 (1.14)	14 (.55)	25 (.98)	11 (.43)	25 (.98)	25 (.98)
6377025	70 (2.76)	Blank	36 (1.42)	32 (1.26)	16 (.63)	30 (1.18)	12 (.47)	27 (1.06)	30 (1.18)