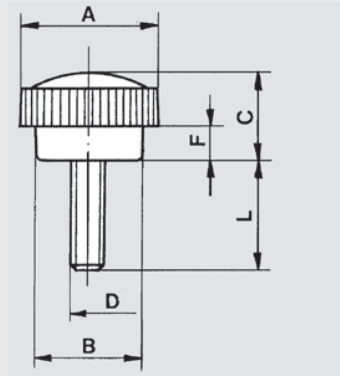


VPZ | Phenolic Plastic Knurled Rim Knobs

Metric Size • With Zinc Plated Steel Threaded Stud



RoHS Compliant

Knob body

Black phenolic plastic, glossy finish

Threaded stud

Zinc plated steel, molded-in

For slip-free fastening and clamping, these knurled rim knobs are an excellent economical choice.

Maximum heat resistance of phenolic plastic: 150°C (300°F).

Metric Table

Dimensions in: millimeters (*inches*)

Part Number	A	D Thread	L Stud Length	C	B	F
6127005	22 (.87)	M5 x .8	10	13 (.51)	15 (.59)	4 (.16)
6127010			15			
6127015			25			
6127020		M6 x 1.0	10			
6127025			15			
6127030			20			
6127035			30			
6127040	26 (1.02)	M5 x .8	10	16 (.63)	20 (.79)	6 (.24)
6127045		M6 x 1.0	15			
6127050			25			
6127055		M8 x 1.25	25			

8

Clamping Knobs