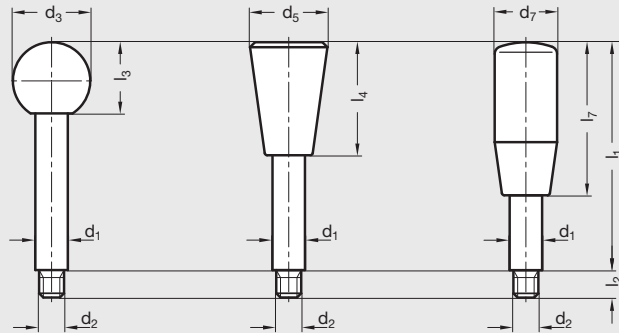


# GN 310 | Steel Gear Lever Handles

Tapped or Bore Type • Metric Size



2

Control Levers

ISO 9001 Supplier

RoHS Compliant

## Shaft

Steel, black oxide finish

## Knobs

Black phenolic plastic  
(Duroplast PF)

The choice of knobs can be made dependent on their function and/or their modern design.

Split hubs, see GN 150, page 94.

Maximum heat resistance of phenolic plastic:  
150°C (300°F).

For certain minimum quantities, inch size threads, special threads and shaft lengths are available upon request.

## Metric Table

Dimensions in: millimeters (*inches*)

Part Number			d <sub>1</sub>	l <sub>1</sub>	d <sub>2</sub> Thread	d <sub>3</sub>	d <sub>5</sub>	d <sub>7</sub>	l <sub>2</sub>	l <sub>3</sub>	l <sub>5</sub>	l <sub>7</sub>
Ball Knob	Tapered Knob	Cylindrical Handle										
8W63B68/A	8W63B68/C	8W63B68/E	8 (.31)	63 (2.48)	M6 x 1.0	20 (.79)	20 (.79)	18 (.71)	9 (.35)	18 (.71)	30 (1.18)	40 (1.57)
8W80B68/A	8W80B68/C	8W80B68/E	8 (.31)	80 (3.15)	M6 x 1.0	20 (.79)	20 (.79)	18 (.71)	9 (.35)	18 (.71)	30 (1.18)	40 (1.57)
8W100B68/A	8W100B68/C	8W100B68/E	8 (.31)	100 (3.94)	M6 x 1.0	20 (.79)	20 (.79)	18 (.71)	9 (.35)	18 (.71)	30 (1.18)	40 (1.57)
10W80B68/A	10W80B68/C	10W80B68/E	10 (.39)	80 (3.15)	M8 x 1.25	25 (.98)	25 (.98)	21 (.83)	11 (.43)	22.5 (.89)	38 (1.50)	50 (1.97)
10W100B68/A	10W100B68/C	10W100B68/E	10 (.39)	100 (3.94)	M8 x 1.25	25 (.98)	25 (.98)	21 (.83)	11 (.43)	22.5 (.89)	38 (1.50)	50 (1.97)
10W125B68/A	10W125B68/C	10W125B68/E	10 (.39)	125 (4.92)	M8 x 1.25	25 (.98)	25 (.98)	21 (.83)	11 (.43)	22.5 (.89)	38 (1.50)	50 (1.97)
12W100B68/A	12W100B68/C	12W100B68/E	12 (.47)	100 (3.94)	M10 x 1.5	32 (1.26)	30 (1.18)	23 (.91)	14 (.55)	29 (1.14)	46 (1.81)	65 (2.56)
12W125B68/A	12W125B68/C	12W125B68/E	12 (.47)	125 (4.92)	M10 x 1.5	32 (1.26)	30 (1.18)	23 (.91)	14 (.55)	29 (1.14)	46 (1.81)	65 (2.56)
12W160B68/A	12W160B68/C	12W160B68/E	12 (.47)	160 (6.30)	M10 x 1.5	32 (1.26)	30 (1.18)	23 (.91)	14 (.55)	29 (1.14)	46 (1.81)	65 (2.56)
14W125B68/A	14W125B68/C	14W125B68/E	14 (.55)	125 (4.92)	M12 x 1.75	35 (1.38)	35 (1.38)	26 (1.02)	16 (.63)	32.5 (1.28)	53 (2.09)	80 (3.15)
14W160B68/A	14W160B68/C	14W160B68/E	14 (.55)	160 (6.30)	M12 x 1.75	35 (1.38)	35 (1.38)	26 (1.02)	16 (.63)	32.5 (1.28)	53 (2.09)	80 (3.15)
14W200B68/A	14W200B68/C	14W200B68/E	14 (.55)	200 (7.87)	M12 x 1.75	35 (1.38)	35 (1.38)	26 (1.02)	16 (.63)	32.5 (1.28)	53 (2.09)	80 (3.15)
16W160B68/A	16W160B68/C	16W160B68/E	16 (.63)	160 (6.30)	M14 x 2.0	40 (1.57)	35 (1.38)	28 (1.10)	18 (.71)	37 (1.46)	53 (2.09)	90 (3.54)
16W200B68/A	16W200B68/C	16W200B68/E	16 (.63)	200 (7.87)	M14 x 2.0	40 (1.57)	35 (1.38)	28 (1.10)	18 (.71)	37 (1.46)	53 (2.09)	90 (3.54)
16W250B68/A	16W250B68/C	16W250B68/E	16 (.63)	250 (9.84)	M14 x 2.0	40 (1.57)	35 (1.38)	28 (1.10)	18 (.71)	37 (1.46)	53 (2.09)	90 (3.54)