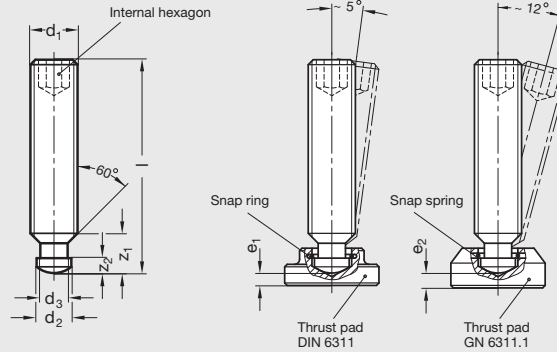


DIN 6332 | Steel Grub Screws

Metric Size • With Hardened or Unhardened Tips



ISO 9001 Supplier

RoHS Compliant

Grub screw

Steel, black oxide finish
Tensile strength 500 N/mm²
Thrust point is available hardened or unhardened

The thrust portion of these screws DIN 6332 is designed to be used with or without the thrust pad for clamping. The snap ring is a simple and quick method to connect the thrust pad to the grub screw.

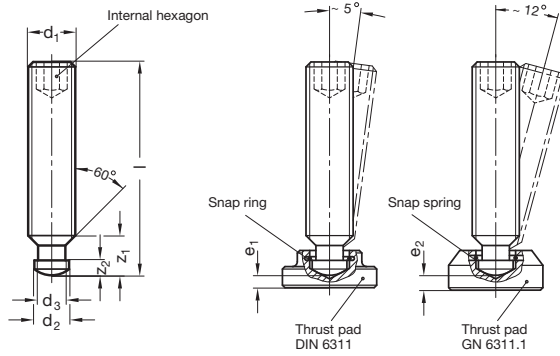
Through the combination of grub screws DIN 6332 with various handles or knobs, simple clamping screws can be created. Thrust pad, see DIN 6311, page 637. Thrust pad, see GN 6311.1, page 638.

Metric Table

Dimensions in: millimeters (*inches*)

Part Number		d ₁ Thread	l Total Length	d ₂ (h ₁₁)	d ₃	e ₁ ≈ Using Thrust Pad DIN 6311	e ₂ ≈ Using Thrust Pad DIN 6311.1	A/F Internal Hex Size	z ₁ ≈	z ₂ ≈
With Internal Hex, Thrust Point Hardened	With Internal Hex, Thrust Point Unhardened									
6N30G29/SK	6N30G29/SKN	M6 x 1.0	30	4.5 (.18)	4 (.16)	2.2 (.09)	-	3 (.12)	6 (.24)	2.5 (.10)
6N35G29/SK	6N35G29/SKN		35							
6N40G29/SK	6N40G29/SKN		40							
6N45G29/SK	6N45G29/SKN		45							
6N50G29/SK	6N50G29/SKN		50							
8N35G29/SK	8N35G29/SKN	M8 x 1.25	35	6 (.24)	5.4 (.21)	3 (.12)	2.2 (.09)	4 (.16)	7.5 (.30)	3 (.12)
8N40G29/SK	8N40G29/SKN		40							
8N45G29/SK	8N45G29/SKN		45							
8N50G29/SK	8N50G29/SKN		50							
8N60G29/SK	8N60G29/SKN		60							
8N70G29/SK	8N70G29/SKN		70							
10N45G29/SK	10N45G29/SKN	M10 x 1.5	45	8 (.31)	7.2 (.28)	3.6 (.14)	2.6 (.10)	5 (.20)	9 (.35)	4.5 (.18)
10N50G29/SK	10N50G29/SKN		50							
10N55G29/SK	10N55G29/SKN		55							
10N60G29/SK	10N60G29/SKN		60							
10N65G29/SK	10N65G29/SKN		65							
10N80G29/SK	10N80G29/SKN		80							
12N50G29/SK	12N50G29/SKN	M12 x 1.75	50	8 (.31)	7.2 (.28)	4.5 (.18)	2.9 (.11)	6 (.24)	10 (.39)	4.5 (.18)
12N60G29/SK	12N60G29/SKN		60							
12N65G29/SK	12N65G29/SKN		65							
12N70G29/SK	12N70G29/SKN		70							
12N80G29/SK	12N80G29/SKN		80							
12N100G29/SK	12N100G29/SKN		100							
16N65G29/SK	16N65G29/SKN	M16 x 2.0	65	12 (.47)	11 (.43)	5.3 (.21)	4.5 (.18)	8 (.31)	12 (.47)	5 (.20)
16N70G29/SK	16N70G29/SKN		70							
16N75G29/SK	16N75G29/SKN		75							
16N80G29/SK	16N80G29/SKN		80							
16N100G29/SK	16N100G29/SKN		100							
16N125G29/SK	16N125G29/SKN		125							

Table continued...



Dimensions in: millimeters (inches)

Part Number		d ₁ Thread	l Total Length	d ₂ (h ₁₁)	d ₃	e ₁ ≈ Using Thrust Pad DIN 6311	e ₂ ≈ Using Thrust Pad DIN 6311.1	A/F Internal Hex Size	z ₁ ≈	z ₂ ≈
With Internal Hex, Thrust Point Hardened	With Internal Hex, Thrust Point Unhardened									
20N80G29/SK	20N80G29/SKN	M20 x 2.5	80	15.5 (.61)	14.4 (.57)	5.6 (.22)	-	10 (.39)	14 (.55)	5.5 (.22)
20N90G29/SK	20N90G29/SKN		90							
20N100G29/SK	20N100G29/SKN		100							
20N125G29/SK	20N125G29/SKN		125							
20N150G29/SK	20N150G29/SKN		150							