

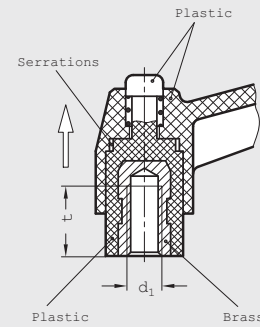
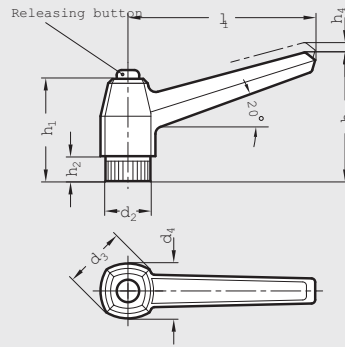
EN 503 | Plastic Push Button Adjustable Levers

With Tapped Insert and Disengaging Locking Mechanism • Inch and Metric Size



Adjustable Levers

1



ISO 9001 Supplier

RoHS Compliant

Body and toothed locking element

Special glass-fiber reinforced technopolymer, black matte finish

Insert

Brass, molded into toothed locking element
Fiberglass reinforced technopolymer retaining pin integrally molded with toothed locking element

Push button

Technopolymer, black matte finish

Spring

AISI 302 stainless steel

Elesa® original design technopolymer plastic adjustable levers.

Particularly suitable when lever turning angle is limited owing to a lack of space.

To adjust during clamping, lift lever to disengage clamping device toothing and bring back to start position. Releasing the lever, the return spring automatically en-gages toothing once again.

Push button solution offers absolute electrical insulation for the operator, no visible steel parts subject to rust, and comfortable lever release.

Resistant to solvents, oils, grease and other chemical agents.

With certain minimum order quantity requirements, levers are available upon request in RAL 2004 orange and RAL 7031 gray.

Heat resistance to 130°C (265°F).

Elesa Model MRX

Inch Table

Dimensions in: inches (millimeters)

Part Number	l_1	d_1 Tapped	d_2	d_3	d_4	h_1	h_2	h_3	h_4	t min.							
2TCB5K	1.65 (42)	10-24	.47 (12)	.71 (18)	.63 (16)	1.06 (27)	.24 (6)	1.26 (32)	.14 (3.5)	.39 (10)							
1TCB5K		10-32								.47	.71	.63	1.06	.24	1.26	.14	.39
3TCB5K		1/4-20								.47	.71	.63	1.06	.24	1.26	.14	.39
3TCB6K	2.48 (63)	1/4-20	.59 (15)	.91 (23)	.79 (20)	1.34 (34)	.31 (8)	1.69 (43)	.14 (3.5)	.47 (12)							
5TCB6K		5/16-18								.59	.91	.79	1.34	.31	1.69	.14	.51 (13)
5TCB7K	3.15 (80)	5/16-18	.75 (19)	1.10 (28)	.94 (24)	1.65 (42)	.39 (10)	2.13 (54)	.18 (4.5)	.71 (18)							
6TCB7K		3/8-16								.75	1.10	.94	1.65	.39	2.13	.18	.67 (17)
8TCB7K		1/2-13								.75	1.10	.94	1.65	.39	2.13	.18	.67 (17)
6TCB8K	3.94 (100)	3/8-16	.98 (25)	1.30 (33)	1.22 (31)	1.93 (48)	.47 (12)	2.56 (65)	.18 (4.5)	.79 (20)							
8TCB8K		1/2-13								.98	1.30	1.22	1.93	.47	2.56	.18	.79 (20)

Metric Table

Dimensions in: millimeters (*inches*)

Part Number	l ₁	d ₁ Tapped	d ₂	d ₃	d ₄	h ₁	h ₂	h ₃	h ₄	t min.
6NCB5K	42 (1.65)	M6 x 1.0	12 (.47)	18 (.71)	16 (.63)	27 (1.06)	6 (.24)	32 (1.26)	3.5 (.14)	10 (.39)
8NCB6K	63 (2.48)	M8 x 1.25	15 (.59)	23 (.91)	20 (.79)	34 (1.34)	8 (.31)	43 (1.69)	3.5 (.14)	13 (.51)
8NCB7K	80 (3.15)	M8 x 1.25	19 (.75)	28 (1.10)	24 (.94)	42 (1.65)	10 (.39)	54 (2.13)	4.5 (.18)	20 (.73)
10NCB7K		M10 x 1.5								18 (.71)
12NCB7K		M12 x 1.75								17 (.67)
12NCB8K	100 (3.94)	M12 x 1.75	25 (.98)	33 (1.30)	31 (1.22)	48 (1.93)	12 (.47)	65 (2.56)	4.5 (.18)	20 (.79)

