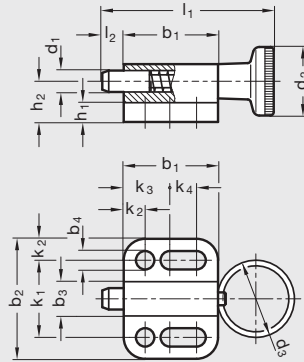


GN 417 | Zinc Die-Cast Indexing Plunger Latch Mechanisms

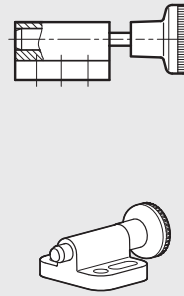
Metric Size



NEW



Plunger out-of-gear



ISO 9001 Supplier

RoHS Compliant

Plunger housing

Zinc die-cast, black plastic coated, textured finish

Plunger pin

Stainless steel, European Standard No. 1.4305 (American Standard Series 303)

Spring

Stainless steel, European Standard No. 1.4310 (American Standard Series 304)

Pull knob

Matte black glass fiber reinforced nylon plastic, not removable

Pull ring

Stainless steel, European Standard No. 1.4310 (American Standard Series 304)

GN 417 indexing plunger latch mechanisms offer an additional mounting option. The fastening range is designed in such a way that ISO 7092 washers can be used. Maximum heat resistance of nylon plastic hand knob: 110°C (230°F).

With Pull Knob

Dimensions in: millimeters (inches)

Part Number	d ₁		d ₂	b ₁	b ₂	b ₃	b ₄		h ₁	h ₂	k ₁				l ₁	l ₂ min	Spring Load N [~]	
	+0.03 mm +0.08 mm						-2 mm				±.05 mm	k ₂	k ₃	k ₄			Initial	End
4WRTS	4 (.16)		12 (.47)	16.5 (.65)	22 (.87)	6 (.24)	3.3 (.13)		4 (.16)	7 (.28)	14 (.55)	4 (.16)	8 (.31)	4.5 (.18)	30.5 (1.20)	4 (.16)	3	12
5WRTS	5 (.20)		16 (.63)	22 (.87)	28 (1.10)	8 (.31)	4.3 (.17)		4.5 (.18)	9.5 (.37)	18 (.71)	5 (.20)	10 (.39)	7 (.28)	40 (1.57)	5 (.20)	5	24
6WRTS	6 (.24)		18 (.71)	27.5 (1.08)	32 (1.26)	10 (.39)	5.4 (.21)		5 (.20)	10.5 (.41)	21 (.83)	5.5 (.22)	12 (.47)	10 (.39)	49 (1.93)	6 (.24)	5	21
8WRTS	8 (.31)		21 (.83)	33 (1.30)	34 (1.34)	12 (.47)	5.4 (.21)		6 (.24)	12.5 (.49)	23 (.91)	5.5 (.22)	12 (.47)	15.5 (.61)	59 (2.32)	8 (.31)	6	22

With Pull Ring

Dimensions in: millimeters (inches)

Part Number	d ₁		d ₃	b ₁	b ₂	b ₃	b ₄		h ₁	h ₂	k ₁				l ₂ min	Spring Load N [~]	
	+0.03 mm +0.08 mm						-2 mm				±.05 mm	k ₂	k ₃	k ₄		Initial	End
4WRTT	4 (.16)		14 (.55)	16.5 (.65)	22 (.87)	6 (.24)	3.3 (.13)		4 (.16)	7 (.28)	14 (.55)	4 (.16)	8 (.31)	4.5 (.18)	4 (.16)	3	12
5WRTT	5 (.20)		18 (.71)	22 (.87)	28 (1.10)	8 (.31)	4.3 (.17)		4.5 (.18)	9.5 (.37)	18 (.71)	5 (.20)	10 (.39)	7 (.28)	5 (.20)	5	24
6WRTT	6 (.24)		24 (.94)	27.5 (1.08)	32 (1.26)	10 (.39)	5.4 (.21)		5 (.20)	10.5 (.41)	21 (.83)	5.5 (.22)	12 (.47)	10 (.39)	6 (.24)	5	21
8WRTT	8 (.31)		30 (1.18)	33 (1.30)	34 (1.34)	12 (.47)	5.4 (.21)		6 (.24)	12.5 (.49)	23 (.91)	5.5 (.22)	12 (.47)	15.5 (.61)	8 (.31)	6	22

10

Indexing, Spring and Ball Plungers