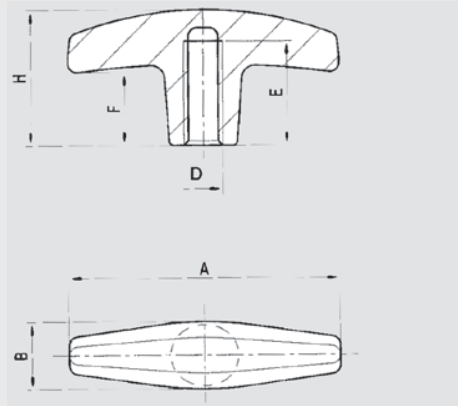


# TIR | Nylon Plastic T-Bar Knobs

Metric Size • Molded-In Thread



RoHS Compliant

4

Revolving and Operating Handles

## Hand knob

Matte black, glass filled nylon plastic

## Threads

Molded-in

The wide surface area of the T-bar knob allows for positive low profile clamping.

Resistant to solvents, oils, grease and other chemical agents.

Maximum heat resistance of nylon plastic: 110°C (230°F).

Special stud assemblies (glued into place) available upon request.

## Metric Table

Dimensions in: millimeters (*inches*)

Part Number	A	D Tapped	B	H	E	F
7381010	57 (2.24)	M6 x 1.0	15 (.59)	30 (1.18)	13 (.51)	16 (.63)
7381020	57 (2.24)	M8 x 1.25	15 (.59)	30 (1.18)	15 (.59)	16 (.63)