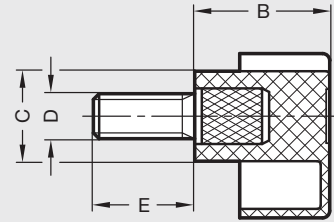
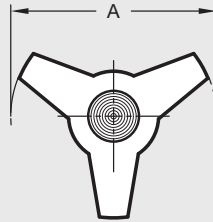
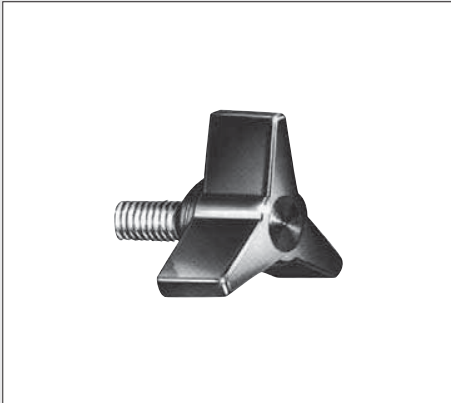


# TPKS | Phenolic Plastic Three Lobed Knobs

Inch Size • With Threaded Stud



RoHS Compliant

### Hand knob

Black phenolic plastic, glossy finish

### Threaded stud

Zinc plated steel, molded-in

### Stud length

Allow tolerance  $\pm 1/16"$ .

Maximum heat resistance of phenolic plastic:  
150°C (300°F).

TPKS three lobed knobs expand the clamping  
range of this economically priced knob.

8

Clamping Knobs

## Inch Table

Dimensions in: inches (*millimeters*)

Part Number	A	D Thread	E Stud Length	B	C
D1110	1.13 (28.7)	1/4 – 20	.56 (14.3)	.75 (19.1)	.50 (12.7)
D1120	1.50 (38.1)	5/16 – 18	.75 (19.1)	.88 (22.4)	.63 (16)
D1130	2 (50.8)	3/8 – 16	.75 (19.1)	1 (25.4)	.75 (19.1)
D1128	2 (50.8)	5/16 – 18	.75 (19.1)	1 (25.4)	.75 (19.1)