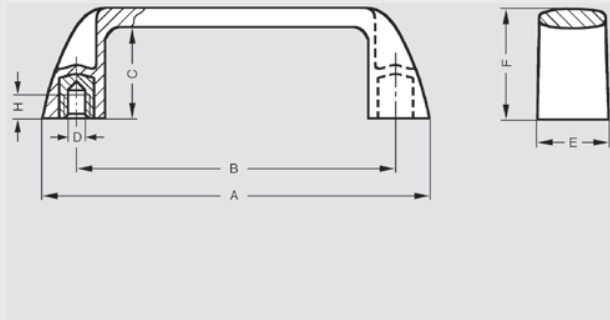


# MFB | Nylon Plastic Cabinet “U” Handles

Inch and Metric Size • With Tapped Inserts



3

RoHS Compliant

## Handle

Glass fiber reinforced nylon plastic, matte finish with tapped inserts for mounting

## Tapped inserts

Brass, molded in

Part number designates color “black”.

## Special colors listed below are available upon request:

Orange (RAL 2004), Red (RAL 3000), Gray (RAL 7031), White (RAL 9010)

Further enhancing the ergonomic styling of our MF cabinet “U” handle, we have developed the

MFB handle to give this style a broader range of mounting possibilities.

Maximum heat resistance of nylon plastic: 110°C (230°F).

Various metric size fasteners and kit packaging available upon request.

## Inch Table

Dimensions in: inches (millimeters)

Part Number Black	E	B	D Tapped	F	C	H	A
8300876	.83 (21)	3.68 (93.5)	1/4-20	1.42 (36)	1.18 (30)	.35 (9)	4.41 (112)
8300877	1.02 (26)	4.61 (117)	1/4-20	1.61 (41)	1.34 (34)	.35 (9)	5.47 (139)
8300878	1.02 (26)	4.61 (117)	5/16-18	1.61 (41)	1.34 (34)	.35 (9)	5.47 (139)
8300879	1.06 (27)	5.20 (132)	1/4-20	1.77 (45)	1.46 (37)	.35 (9)	6.14 (156)
8300880	1.06 (27)	5.20 (132)	5/16-18	1.77 (45)	1.46 (37)	.35 (9)	6.14 (156)
8300881	1.10 (28)	7.05 (179)	5/16-18	1.97 (50)	1.65 (42)	.35 (9)	8.03 (204)

## Metric Table

Dimensions in: millimeters (inches)

Part Number Black	E	B	D Tapped	F	C	H	A
6333500	21 (.83)	93.5 (3.68)	M6 x 1.0	36 (1.42)	30 (1.18)	9 (.35)	112 (4.41)
6333550	26 (1.02)	117 (4.61)	M6 x 1.0	41 (1.61)	34 (1.34)	9 (.35)	139 (5.47)
6333560	26 (1.02)	117 (4.61)	M8 x 1.25	41 (1.61)	34 (1.34)	9 (.35)	139 (5.47)
6333600	27 (1.06)	132 (5.20)	M6 x 1.0	45 (1.77)	37 (1.46)	9 (.35)	156 (6.14)
6333610	27 (1.06)	132 (5.20)	M8 x 1.25	45 (1.77)	37 (1.46)	9 (.35)	156 (6.14)
6333620	28 (1.10)	179 (7.05)	M8 x 1.25	50 (1.97)	42 (1.65)	9 (.35)	204 (8.03)