

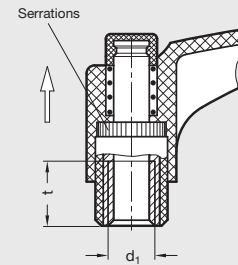
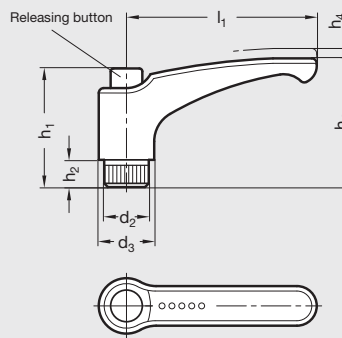
# EN 603 | Ergostyle® Plastic Adjustable Levers

Push Button • With Tapped Insert • Inch Size



Adjustable Levers

1



ISO 9001 Supplier

RoHS Compliant

## Body and toothed element

Special glass-fiber reinforced technopolymer, black matte finish

## Insert

Brass, molded in

## Spring

AISI 302 stainless steel

Push button: "C2"= standard orange  
RAL 2004 matte finish technopolymer.

## Optional colors

- C1** Black RAL 7021
- C3** Gray RAL 7035
- C4** Yellow RAL 1021
- C5** Light Blue RAL 5024
- C6** Red RAL 3000

Elesa® original design plastic adjustable lever.

The slightly arched ergonomic shape of the handle gives the operator a comfortable and safe grip, while the thumb rests naturally on the push button.

Particularly suitable when lever turning angle is limited owing to a lack of space.

Pulling the lever upward disengages the serrations, allowing it to be swiveled to the ideal clamping position. On releasing the lever, the serrations automatically re-engage.

Resistant to solvents, oils, grease and other chemical agents.

Heat resistance to 130°C (265°F).

*Elesa Model ERX*

## Inch Table

Dimensions in: inches (millimeters)

Part Number*	$l_1$	$d_1$ Tapped	t min.	$d_3$	$h_3$	$h_1$	$h_2$	$d_2$	$h_4$
2TCD0K/C2	1.73 (44)	10-24	.39 (10)	.61 (15.5)	1.28 (32.5)	1.16 (29.5)	.24 (6)	.47 (12)	.14 (3.5)
1TCD0K/C2		10-32							
3TCD0K/C2		1/4-20							
3TCD1K/C2	2.48 (63)	1/4-20	.47 (12)	.75 (19)	1.69 (43)	1.48 (37.5)	.31 (8)	.59 (15)	.16 (4)
5TCD1K/C2		5/16-18	.51 (13)						
6TCD2K/C2	3.07 (78)	3/8-16	.67 (17)	.91 (23)	2.13 (54)	1.85 (47)	.47 (12)	.75 (19)	.20 (5)
8TCD2K/C2		1/2-13							
6TCD3K/C2	3.74 (95)	3/8-16	.79 (20)	1.04 (26.5)	2.54 (64.5)	2.15 (54.5)	.51 (13)	.85 (21.5)	.20 (5)
8TCD3K/C2		1/2-13							

\* For optional-standard colors replace the last digit with the desired suffix: **C1** (Black RAL 7021), **C2** (Orange RAL 2004), **C3** (Gray RAL 7035), **C4** (Yellow RAL 1021), **C5** (Light Blue RAL 5024), **C6** (Red RAL 3000). Example of part number for Orange RAL 2004 lever: 2TCD0K/C2