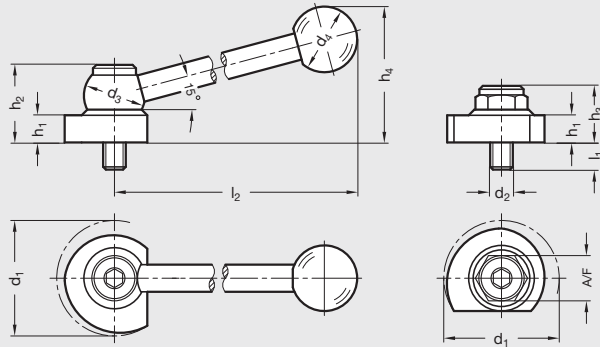


GN 918/GN 918.5 | Eccentric Cam Units

Metric Size • Steel or Stainless Steel • Ball Lever or Hexagon Type



ISO 9001 Supplier

RoHS Compliant

GN 918 Ball lever handle eccentric cam and washer

Steel, black oxide finish, case hardened

Hexagon threaded bolt

Steel, nitrided to surface hardness class 8.8 grade

Ball knob

Black phenolic plastic, DIN 319 series

GN 918.5 Eccentric cam

Stainless steel, European Standard No. 1.4305, chemically nickel plated

Hexagon threaded bolt and washer

Stainless steel, European Standard No. 1.4021, tempered, chemically nickel plated

Ball lever handle

Stainless steel, European Standard No. 1.4305, matte shot blasted

Ball knob

Black phenolic plastic, DIN 319 series

Eccentric cams GN 918/ GN 918.5 with a relatively long movement and high clamping force give rapid and safe clamping and release.

The cam offers the advantage of the clamping force acting over the entire clamping area (i.e., it maintains the clamping force in all angular positions).

The lever handle is linked to the eccentric cam via a serrated ratchet which allows the positioning of the lever in a preferred position.

The eccentric cam can also be used with T-slot nuts on machine beds.

Eccentric cams can also be used as stepless adjustable end stops. If the washer is removed, the eccentric cam can be clamped direct to its support.

See technical details and instructions, page 619.

11

Jig, Fixture and Fastening Components

GN 918

Dimensions in: millimeters (inches)

Part Number		d ₁	d ₂ Thread	d ₃	d ₄	h ₁	h ₂	h ₃	h _{4z}	l ₁	l _{2z}	A/F
With Ball Lever/Serrations	With Hexagon											
L80/KV	L80/SK	50 (1.97)	M10 x 1.5	28 (1.10)	30 (1.18)	12 (.47)	34.5 (1.36)	24 (.94)	62 (2.44)	11 (.43)	109 (4.29)	19 (.75)

GN 918.5

Dimensions in: millimeters (inches)

Part Number		d ₁	d ₂ Thread	d ₃	d ₄	h ₁	h ₂	h ₃	h _{4z}	l ₁	l _{2z}	A/F
With Ball Lever/Serrations	With Hexagon											
10NOJ0/KV	10NOJ0/SK	50 (1.97)	M10 x 1.5	28 (1.10)	30 (1.18)	12 (.47)	34.5 (1.36)	24 (.94)	62 (2.44)	11 (.43)	109 (4.29)	19 (.75)