



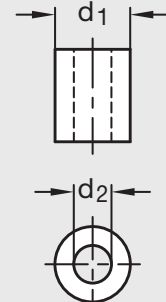
NEW



GN 910.8 | Bushings for Knee Lever Modules

Metric Size

Bushing	Steel, blackened, weldable
d1	.51 – .79 inch (13 – 20 mm)
d2	.26 – .41 inch (6.5 – 10.5 mm)



ISO 9001 Supplier

RoHS Compliant



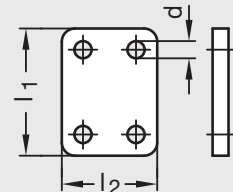
NEW



GN 910.9 | Base Plates for Knee Lever Modules

Metric Size

Base Plate	Steel, blackened, weldable
d	.26 – .33 inch (6.5 – 8.5 mm)
l₁	1.89 – 2.56 inch (48 – 65 mm)
l₂	1.42 – 2.13 inch (36 – 54 mm)



ISO 9001 Supplier

RoHS Compliant



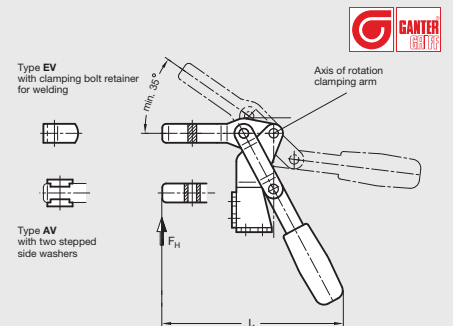
NEW



GN 812 | Vertical Acting Toggle Clamps

Metric Size • With Flanged Mounting Base

Toggle Clamp	Steel, zinc plated
Clamping Arm	Forked or solid
Holding	2200 – 2700 N
Capacity	
Length l₁	6.22 – 7.64 inch (158 – 194 mm)



15

ISO 9001 Supplier

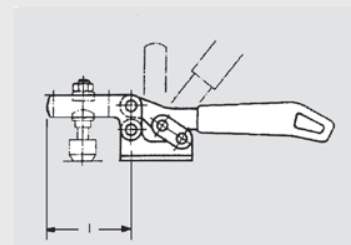
RoHS Compliant



6830-NI | Horizontal Acting Toggle Clamps

Metric Size • With Horizontal Mounting Base

Toggle Clamp	Stainless steel
Holding	250 – 2500 N
Capacity	
Length l	26 – 72 mm



ISO 9001 Supplier

Toggle Clamps