



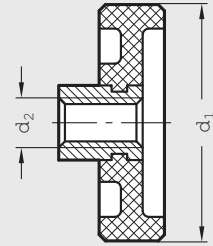
GN 226-TP | Plastic Knurled Control Knobs



Blank, Threaded and Through Bore Type • Inch and Metric Size



Body	Glass filled nylon plastic
Hub Insert	Steel, black oxide finish, molded-in
Diameter d_1	1.97 – 3.15 inch (50 – 80 mm)
Diameter d_2	5/16-18 – 5/8-11 inch (M8 – M16)



ISO 9001 Supplier

RoHS Compliant

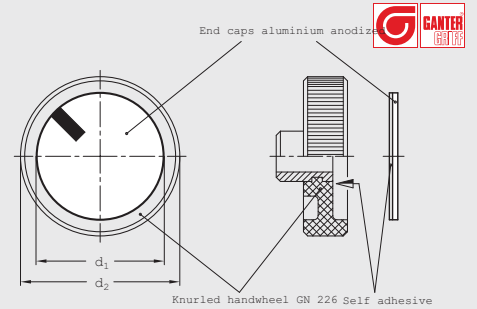


GN 226.1 | Aluminum Cover Disks



With or without Symbol • Metric Size

Disk	Aluminum, natural anodized finish, self adhesive
Symbol	Black
Diameter d_1	1.54 – 2.64 inch (39 – 67 mm)
Handwheel d_2	1.97 – 3.15 inch (50 – 80 mm)



ISO 9001 Supplier

RoHS Compliant

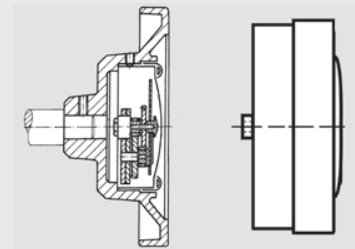


S | S Series Position Indicators



Metric Size

Housing	Solid fiber-glass reinforced plastic
Gear Ratios	1 – 200
Diameter D	2.05 – 4.88 inch (52 – 124 mm)
Diameter d	1.97 – 4.84 inch (50 – 123 mm)



ISO 9002 Certified

RoHS Compliant

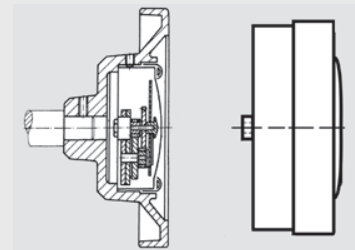


SZ | SZ Series Position Indicators



Metric Size

Housing	Solid fiber-glass reinforced plastic
Gear Ratios	00002 – 00010
Diameter D	3.43 inch (87 mm)
Diameter d	3.35 inch (85 mm)



ISO 9002 Certified

RoHS Compliant