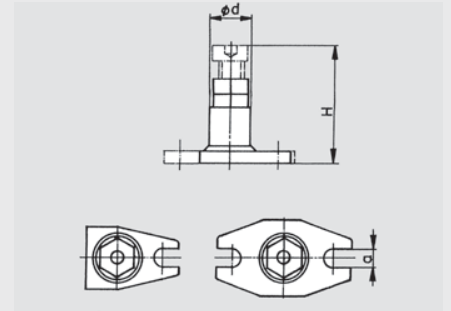




No. 6430 | Atlas Screw Jacks

Metric Size • With Jam Nuts

Housing	Cast iron
Spindle Unit	Trapezoidal thread TR 30x6
Slot Width a	18 – 22 mm
Diameter d	50 mm
Height H	140 – 550 mm



ISO 9001 Supplier

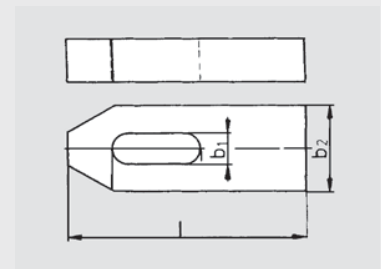
RoHS Compliant



DIN 6314 | Plain Clamps

Metric Size

Body	Steel, tempered and vanished
Diameter b₁	6.6 – 43 mm
Diameter b₂	20 – 100 mm
Length l	50 – 400 mm



ISO 9001 Supplier

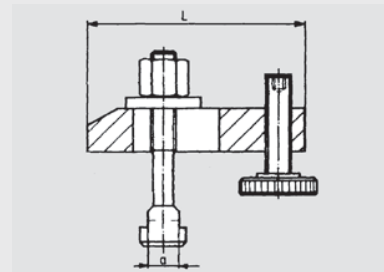
RoHS Compliant



No. 6314 V | Adjustable Plain Clamps

Metric Size • With Adjusting Screw

Body	Steel, tempered, black oxide finish
Slot Size a	10 – 28 mm
Length L	80 – 200 mm



ISO 9001 Supplier

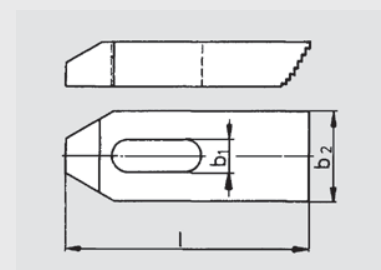
RoHS Compliant



No. 6314 Z | Step Clamps

Metric Size

Body	Steel, tempered, enameled finish
Diameter b₁	6.6 – 26 mm
Diameter b₂	20 – 70 mm
Length l	50 – 200 mm



ISO 9001 Supplier

RoHS Compliant