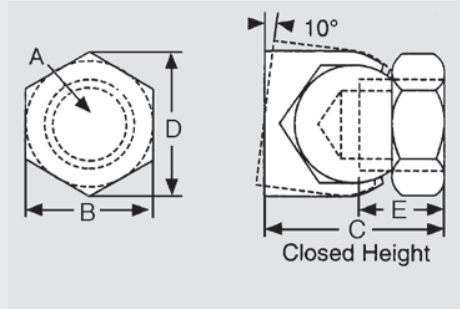


TSP/TSPS | Steel or Stainless Steel Toggle Pads

Inch Size



RoHS Compliant

Steel version (TSP)

Tapped ball socket – Heat treated low carbon steel with yellow zinc plated finish

Pad – Heat treated low carbon steel with yellow zinc plated finish or white Delrin® plastic

Stainless steel version (TSPS)

Tapped ball socket – Type 303 stainless steel

Pad – Type 303 stainless steel or white Delrin® plastic

Pads swivel 10 degrees in any direction which allows automatic seating against the surface of the workpiece when force is applied, thus eliminating clamp slippage.

Steel Version – TSP

Dimensions in: inches (millimeters)

Part Number		A Tapped	B	C	D	E min.	Maximum Load Steel Pad	Maximum Load Delrin® Pad
Steel Pad	Delrin® Pad							
3TTSP	3TTSP/DN	1/4-20	.50 (12.70)	.63 (16)	.63 (16)	.31 (7.87)	3900	360
5TTSP	5TTSP/DN	5/16-18	.56 (14.22)	.75 (19.05)	.69 (17.53)	.38 (9.65)	5900	360
6TTSP	6TTSP/DN	3/8-16	.63 (16)	.81 (20.57)	.75 (19.05)	.38 (9.65)	6400	570
8TTSP	8TTSP/DN	1/2-13	.75 (19.05)	.94 (23.88)	.88 (22.35)	.44 (11.18)	7000	570
10TTSP	10TTSP/DN	5/8-11	.88 (22.35)	1 (25.4)	1 (25.4)	.44 (11.18)	10000	1000
11TTSP	11TTSP/DN	3/4-10	1.06 (26.92)	1.34 (34.04)	1.25 (31.75)	.63 (16)	13500	1300
12TTSP	12TTSP/DN	1-8	1.38 (9.65)	1.83 (46.48)	1.63 (41.40)	.81 (20.57)	18750	1570

11

Jig, Fixture and Fastening Components

Stainless Steel Version – TSPS

Dimensions in: inches (millimeters)

Part Number		A Tapped	B	C	D	E min.	Maximum Load Stainless Steel Pad	Maximum Load Delrin® Pad
Stainless Steel Pad	Delrin® Pad							
3TTS1S	3TTS1S/DN	1/4-20	.50 (12.70)	.63 (16)	.63 (16)	.31 (7.87)	5000	360
5TTS1S	5TTS1S/DN	5/16-18	.56 (14.22)	.75 (19.05)	.69 (17.53)	.38 (9.65)	7600	360
6TTS1S	6TTS1S/DN	3/8-16	.63 (16)	.81 (20.57)	.75 (19.05)	.38 (9.65)	8250	570
8TTS1S	8TTS1S/DN	1/2-13	.75 (19.05)	.94 (23.88)	.88 (22.35)	.44 (11.18)	9000	570
10TTS1S	10TTS1S/DN	5/8-11	.88 (22.35)	1 (25.4)	1 (25.4)	.44 (11.18)	12900	1000
11TTS1S	11TTS1S/DN	3/4-10	1.06 (26.92)	1.34 (34.04)	1.25 (31.75)	.63 (16)	17400	1300
12TTS1S	12TTS1S/DN	1-8	1.38 (9.65)	1.83 (46.48)	1.63 (41.40)	.81 (20.57)	24200	1570