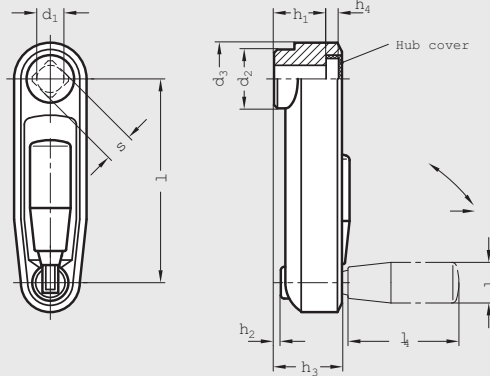


GN 472.3 | Aluminum Crank Handles

Inch and Metric Size • With Recessed Locking Retractable Handle



ISO 9001 Supplier

RoHS Compliant

Crank body

Aluminum, black powder coated pebble finish

Contact face of hub machined

Cover disk

Plastic, light gray

Retractable handle

Black phenolic plastic hand piece with black oxide steel stem and mechanism, see GN 598.3 series for further details, page 178.

The shape of the crank handle with retractable hand piece GN 472.3 is modern, attractive, and meets all demands of industrial designers.

It is a further improvement on the standard crank handles with retractable handle and is mainly used where the application requires the crank to be used in a more confined area of the equipment.

In the operating position the hand piece is firmly locked. By pulling the hand piece in axial

direction out of its locating cone, it can be folded back into place.

The spring holds the hand piece firmly in both positions.

When folding the handle back it will automatically snap back into the recess.

Special inch and metric bores, squares, keyways, set screw holes, etc. available upon request.

6

Crank

Inch Table

Dimensions in: inches (millimeters)

Part Number	l	d ₁ Through Bore	s Through Square	d ₂	d ₃	h ₁	h ₂	h ₃	h ₄	l ₃ Ø	l ₄
4B059	3.15	.500		.91	1.14	.79	.10	1.02	.17	.71	1.67
4V059	(80)		.500	(.23)	(.29)	(.20)	(2.5)	(.26)	(4.3)	(.18)	(42.5)
4B060	3.94	.500		1.02	1.34	.94	.16	1.18	.17	.87	2.30
4V060	(100)		.500	(.26)	(.34)	(.24)	(4)	(.30)	(4.2)	(.22)	(58.5)
5B061	4.92	.625		1.10	1.42	1.22	.35	1.46	.17	.91	2.66
5V061	(125)		.625	(.28)	(.36)	(.31)	(9)	(.37)	(4.2)	(.23)	(67.5)

Metric Table

Dimensions in: millimeters (inches)

Part Number	l	d ₁ Through Bore	s Through Square	d ₂	d ₃	h ₁	h ₂	h ₃	h ₄	l ₃ Ø	l ₄
10M059	80	10		23	29	20	2.5	26	4.3	18	42.5
10Q059	(3.15)		10	(.91)	(1.14)	(.79)	(.10)	(1.02)	(.17)	(.71)	(1.67)
12M060	100	12		26	34	24	4	30	4.2	22	58.5
12Q060	(3.94)		12	(1.02)	(1.34)	(.94)	(.16)	(1.18)	(.17)	(.87)	(2.30)
14M061	125	14		28	36	31	9	37	4.2	23	67.5
14Q061	(4.92)		14	(1.10)	(1.42)	(1.22)	(.35)	(1.46)	(.17)	(.91)	(2.66)