



# **NSS15N - NSS15NI - NSS20N**

Specifications

**Sit-on-stacker**

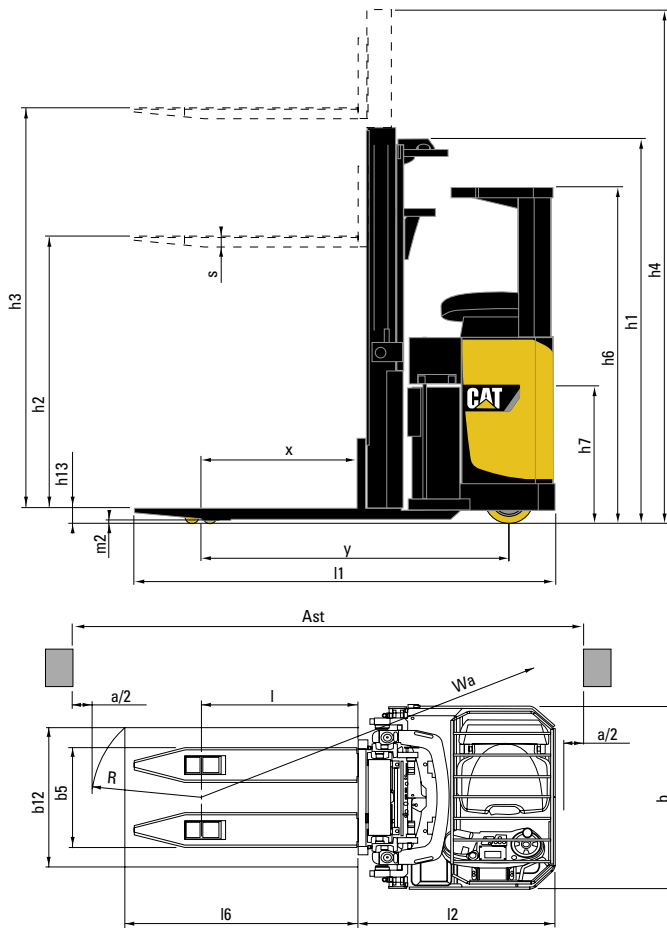
1.5 - 2.0 tonnes

<b>Characteristics</b>			Cat Lift Trucks	Cat Lift Trucks	Cat Lift Trucks
			<b>NSS15N</b>	<b>NSS15NI</b>	<b>NSS20N</b>
1.01	Manufacturer (abbreviation)		Battery	Battery	Battery
1.02	Manufacturer's model designation		Sit-on	Sit-on	Sit-on
1.03	Power source: (battery, diesel, LP gas, petrol)		1500	1500	2000
1.04	Operator type: pedestrian, (operator)-standing, -seated	Q (kg)	600	600	600
1.05	Load capacity	c (mm)	775	755	805
1.06	Load center distance	x (mm)	1500	1520	1585
1.08	Load wheel axle to fork face (forks lowered)	y (mm)			
1.09	Wheelbase				
<b>Weight</b>					
2.01	Truck weight with maximum battery weight	kg	1760*	1840*	2100*
<b>Wheels, Drive Train</b>					
3.01	Tyres: PT=Power Thane, Vul=Vulkollan, drive/load side		Vul/vul	Vul / vul	Vul / vul
3.02	Tyre dimensions, drive side		250 x 100	250 x 100	250 x 100
3.03	Tyre dimensions, load side		85 x 75	85 x 75	85 x 90
3.04	Castor wheel dimensions (diameter x width)		150 x 48	150 x 48	150 x 48
3.05	Number of wheels, drive/load side (x=driven)		1x + 2 / 4	1x + 2 / 4	1x + 2 / 4
3.06	Track width (center of tyres), drive side	b10 (mm)	385	385	375
3.07	Track width (center of tyres), load side	b11 (mm)	690	690	690
<b>Dimensions</b>					
4.02	Height with mast lowered (see tables)	h1 (mm)	2385	2500	2710
4.03	Free lift (see tables)	h2 (mm)	1810	1810	2060
4.04	Lift height (see tables)	h3 (mm)	5400	5400	6300
4.05	Overall height with mast raised	h4 (mm)	5940	6055	7130
4.06	Initial lift	h5 (mm)	-	115	-
4.07	Height to top of overhead guard	h6 (mm)	1930	1930	1930
4.08	Seat- or stand height	h7 (mm)	870	870	870
4.15	Fork height, fully lowered	h13 (mm)	90	92	90
4.19	Overall length	l1 (mm)	2110	2145	2160
4.20	Length to fork face (includes fork thickness)	l2 (mm)	960	960	1010
4.21	Overall width	b1 / b2 (mm)	1050 / 1550**	1050 / 1550**	1050 / 1715**
4.22	Fork dimensions (thickness, width, length)	s / e / l (mm)	65 / 165 / 1150	65 / 185 / 1150	65 / 195 / 1150
4.25	Outside width over forks (minimum/maximum)	b5 (mm)	550-685	570-685	570-685
4.32	Ground clearance at center of wheelbase, (forks lowered)	m2 (mm)	30	30	25
4.33/a	Working aisle width (Ast) with 1000 x1200 mm pallets, load crosswise	Ast (mm)	2626	2633	2696
4.33/b	Working aisle width (Ast3) with 1000 x 1200 mm pallets, load crosswise	Ast3 (mm)	2210	2230	2260
4.34/a	Working aisle width (Ast) with 800 x1200 mm pallets, load lengthwise	Ast (mm)	2569	2583	2627
4.34/b	Working aisle width (Ast3) with 800 x 1200 mm pallets, load lengthwise	Ast3 (mm)	2410	2430	2460
4.35	Turning circle radius	Wa (mm)	1785	1785	1865
<b>Performance</b>					
5.01	Travel speed, with/without load	km/h	7.0 / 8.0	7.0 / 8.0	7.0 / 8.0
5.02	Lifting speed, with/without load	m/s	0.13 - 0.30	0.13 - 0.30	0.11 / 0.30
5.03	Lowering speed, with/without load	m/s	0.50 - 0.35	0.50 - 0.35	0.50 - 0.40
5.07	Gradeability, with/without load	%	7 / 10	7 / 10	6 / 10
5.10	Service brakes (mechanical/hydraulic/electric/pneumatic)		Electric	Electric	Electric
<b>Electric motors</b>					
6.01	Drive motor capacity (60 min. short duty)	kW	2.2	2.2	2.2
6.02	Lift motor output at 15% duty factor	kW	5.5	5.5	5.5
6.04	Battery voltage/capacity at 5-hour discharge	V/Ah	24 / 375 - 500	24 / 375 - 500	24 / 375 - 500
6.05	Battery weight	kg	305 - 400	305 - 400	305 - 400
<b>Miscellaneous</b>					
8.01	Type of drive control		Stepless	Stepless	Stepless
8.04	Noise level, mean value at operator's ear (EN 12053)	dB(A)	66	66	66

\* 1500 kg models with TREV5400 mm mast, 2000 kg model with 6300 mm mast

\*\* without / with stabilizers extended





$A_{st} = Wa + x + l_6 + a$        $l_6 =$  Pallet length (800 or 1000 mm)  
 $A_{st} =$  Working aisle width with load     $b_{12} =$  Pallet width (1200 mm)  
 $a =$  Safety clearance (200 mm)

## Lower Cost of Ownership

- Smooth, progressive, easy to use controls and comfortable, adjustable seats enhance operator concentration leading to better shift productivity.
- Durable chassis and mast construction, designed and built for years of service.
- AC-drive technology means longer service intervals, reducing the total cost of ownership.
- Battery discharge indicator (BDI) incorporates lift cut-out for battery protection.

## Unmatched Productivity

- These trucks combine efficient long distance travel and stacking at medium heights.
- The 'Initial lift' model (NSS15NI) allows increased ground clearance when working on ramps.
- High drive speed (with or without load).
- Large battery compartment (up to 500 Ah).
- Extendable side stabilizers, standard on models with triplex masts, gives extra residual capacity
- Rapid acceleration.
- Standard PIN code start-up, and driver specific settings.
- Programmable features for driver.
- Regenerative braking feeds power back into the battery.
- LCD display with all relevant information.
- Good service access, thanks to a seat which swings open in seconds.
- Battery roller as standard for quick battery change.
- Progressive steering for excellent maneuvering at low speeds and stability at high speed.
- Smooth hydraulics.
- Rounded fork tips for easy pallet entry, when approaching at an angle.
- High residual capacities, especially with extended side stabilizers.
- Easy to operate driver's menu.

## Safety and Ergonomics

- Driver well protected by chassis.
- Ergonomically designed electronic 360° fly-by-wire steering gives precise control at speed.
- Adjustable seat allows for comfortable long-shift operation.
- Good all round visibility and through the poweRamic mast for accurate pallet entry.
- Automatic speed reduction in curves and at increased lift heights, for safe and secure handling.

## Options

- Various fork lengths.
- Lift height pre-selector and indicator (NSS20N only).
- Customized side plates (for company livery).
- Pallet entry & exit rollers.
- Choice of different wheel materials.
- Picking list bracket or PC support.
- Key switch start.
- Compulsory lowering of side stabilizers at 2.5 m lift height or higher.
- Extendable side stabilizers on models with duplex masts (for extra residual capacity).

# Cat<sup>®</sup> Lift Trucks.

Your partner in materials handling.

NSS15N				
Mast Type	h3 + h13	h1	h4	h2 + h13
S	1500	1950	1950	1500
DS	2500	1835	3000	200
	2900	2035	3400	200
	3300	2235	3800	200
	3450	2310	3950	200
	3600	2385	4100	200
	4300	2735	4800	200
DEV	2500	1835	3000	1365
	2900	2035	3400	1565
	3300	2235	3800	1765
	3450	2310	3950	1840
	3600	2385	4100	1915
	4300	2735	4800	2265
TR	5400	2385	5940	200
	5900	2555	6440	200
	6500	2755	7040	200
TREV	5400	2385	5940	1900
	5900	2555	6440	2070
	6500	2755	7040	2270

NSS15NI				
Mast Type	h3 + h13	h1	h4	h2 + h13
S	1500	2065	2065	1500
DS	2500	1950	3115	200
	2900	2150	3515	200
	3300	2350	3915	200
	3450	2425	4065	200
	3600	2500	4215	200
	4300	2850	4915	200
DEV	2500	1950	3115	1365
	2900	2150	3515	1565
	3300	2350	3915	1765
	3450	2425	4065	1840
	3600	2500	4215	1915
	4300	2850	4915	2265
TR	5400	2500	6055	200
	5900	2670	6555	200
	6500	2870	7155	200
TREV	5400	2500	6055	1900
	5900	2670	6555	2070
	6500	2870	7155	2270

NSS20N				
Mast Type	h3 + h13	h1	h4	(h2 + h13)
TF	4800	2210	5630	1650
	5400	2410	6230	1850
	5700	2510	6530	1950
	6300	2710	7130	2150

## Mast Performance and Capacity

- S Simplex
- DS Duplex with Clear View Mast
- DEV Duplex with Full Free Lift
- TR Triplex with Clear View Mast
- TREV Triplex with Full Free Lift
- TF Triplex PowerRamic
- h3+h13 Lift Height
- h1 Lowered mast height (with initial lift + 115mm)
- h4 Raised mast height (with initial lift + 115mm)
- h2+h13 Free lift height
- (h2+h13)\* Special free lift height

info@catliftruck.com  
www.catliftruck.com

WESC1347(12/10)ok  
Copyright ©2007, MCFE. All rights reserved.  
CAT, CATERPILLAR their respective logos,  
'Caterpillar Yellow' and the 'Power Edge' trade dress,  
as well as corporate and product identity used herein,  
are trademarks of Caterpillar and may not be used  
without permission.  
Printed in The Netherlands



CARRETILLAS  
ELEVADORAS

# PEGAMO

NOTE: Performance specifications may vary depending on standard manufacturing tolerances, vehicle condition, types of tyres, floor or surface conditions, applications, or operating environment. Trucks may be shown with non-standard options. Specific performance requirements and locally available configurations should be discussed with your Cat lift trucks Dealer. Cat Lift Trucks follows a policy of continual product improvement. For this reason, some materials, options and specifications could change without notice.

**CAT**<sup>®</sup> Lift  
Trucks